



Hovey
Industries Ltd.

2794 Fenton Road
Gloucester, On.,
K1T 3T7, Canada

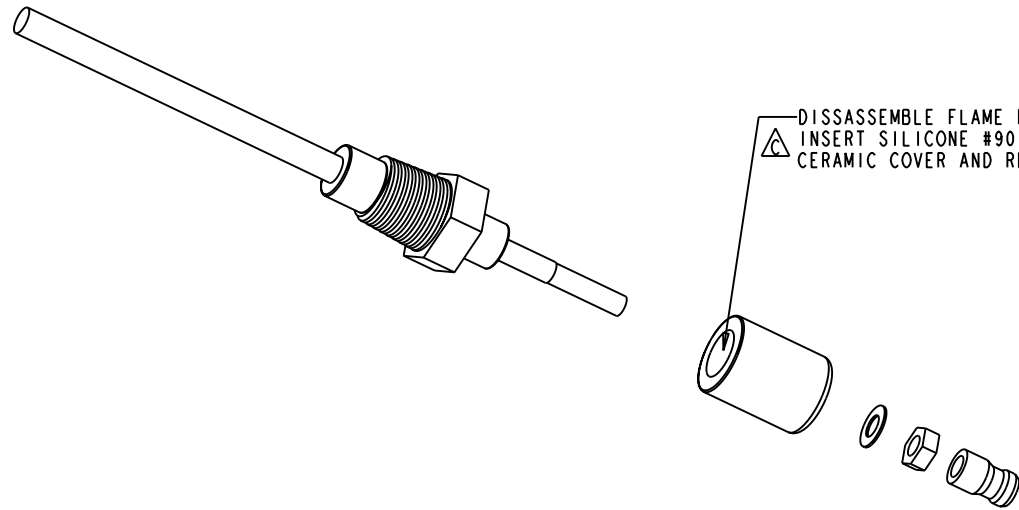
Telephone: (613) 822-1765
Fax: (613) 822-1556

Field Amendment Notice 12340

SUBJECT:	Flame rods, Maxon/Auburn part number FRS-4, Hovey part number 14978		
CONCERN:	Occasional nuisance shut downs due to loss of flame signal.	DATE	Apr 15, 2002

Models Affected:	All Heaters manufactured between 1997 and 2001
Problem	Water can accumulate in the seam of the two piece flame rod ceramic creating a short circuit between the rod and ¼ NPT mounting bushing (ground).
Corrective Action	Dismantle the flame rod as shown on drawings 14978 and insert Dow Corning 3165 fast tack RTV adhesive silicone or equivalent inside ceramic cap and reassemble flame rod. This will ensure that no water can accumulate and create a short.

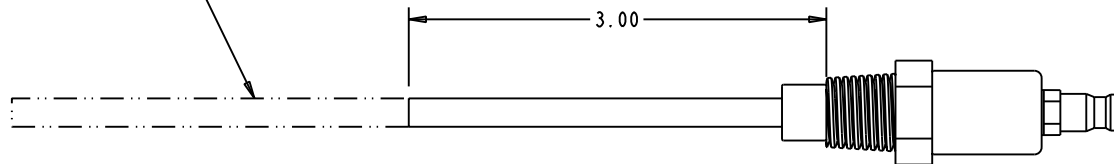
TITLE ROD, FLAME MOD'D 3" LG, 1/4" NPT	DRAWING NUMBER	REV. C
	14978	SHT. 1/1



DISASSEMBLE FLAME ROD AS SHOWN.
INSERT SILICONE #9014-0047 INSIDE
CERAMIC COVER AND REASSEMBLE.

SCALE 0.750

9081-0060
MODIFY FLAME ROD,
CUT DOWN TO 3.0" LONG.



SCALE 0.750

MATERIAL N/A	SCALE AS SHOWN	UNLESS OTHERWISE SPECIFIED DIMENSIONS ARE IN INCHES	XX ± 0.03	ANGLES ± 0.5°	HOVEY INDUSTRIES LIMITED			DWG SIZE	C	REDRAWN IN PRO E., ADDED SILICONE NOTE, ECN 1514	25 MAR 02	SFL
			XXX ± 0.01	OTHER -----	DWN SFL	DATE DWN 25 MAR 02	CHKD	DATE	AI	LTR	DESCRIPTION	DATE