



Hovey
Industries Ltd.

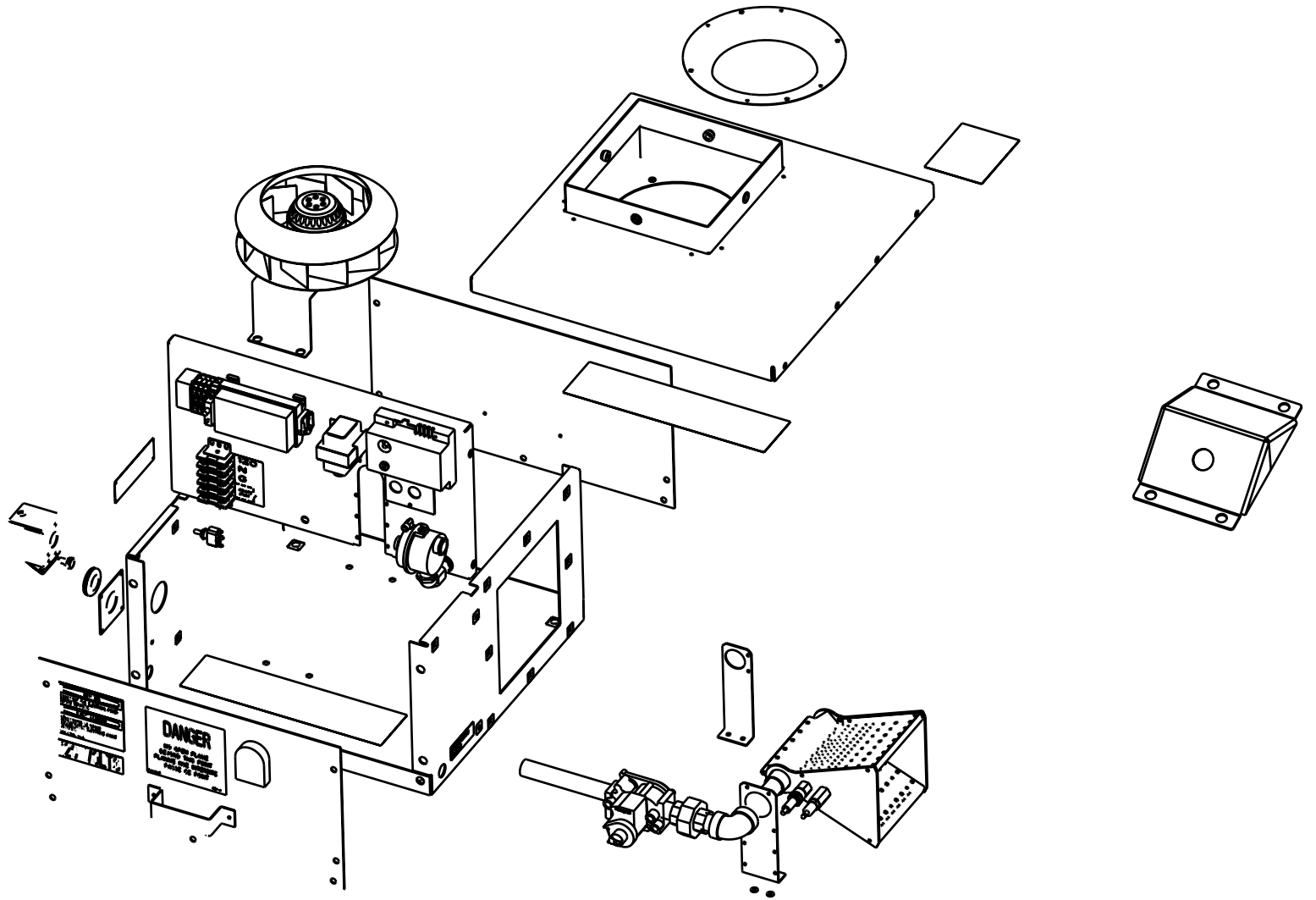
2794 Fenton Road
Gloucester, On.,
K1T 3T7, Canada

Telephone: (613) 822-1765
Fax: (613) 822-1556

Field Notice 01-004

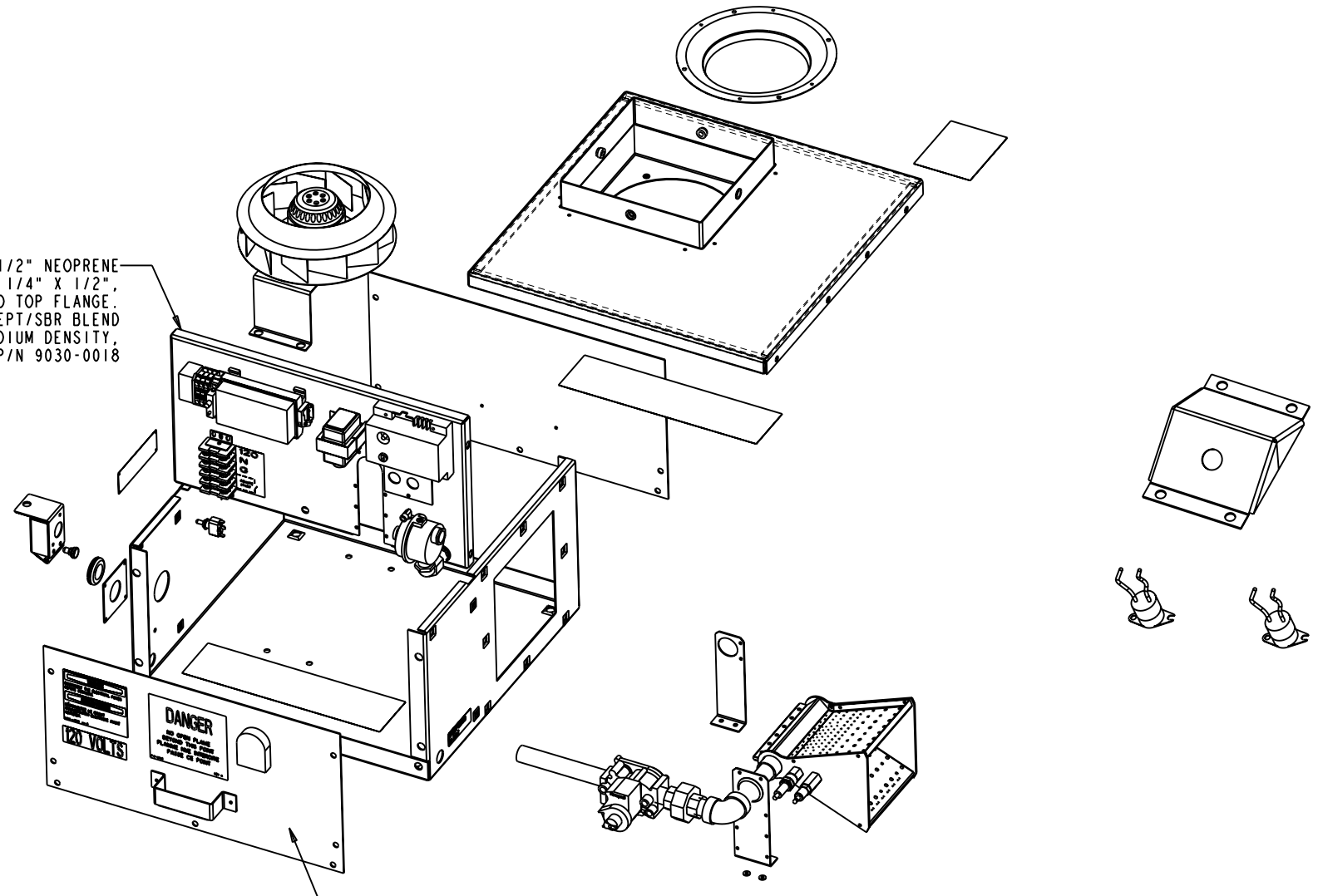
SUBJECT:	Yardmaster, air switch venting.	FAN NO.	01-004
CONCERN:	Inadequate venting of electrical enclosure allows build up of air pressure on low pressure side of airswitch.	DATE	Dec 4, 2001

Models Affected:	Yardmaster heaters. All Yardmasters delivered between Jan. 1, 2000 and Dec. 1, 2001.
Problem	<p>The air pressure switch measures the difference in pressure between the fan and electrical enclosures.</p> <p>Air leakage, caused by an undersized gasket on the top of the electrical panel, into the electrical enclosure and insufficient venting of the enclosure with the access panel in place, reduces the differential pressure below the setpoint and keeps the burner from igniting.</p> <p>Note: The heater will ignite when the electrical access panel is removed.</p>
Corrective Action	<p>Contact Hovey at 613 822-1765 for a warranty replacement gasket 9030-0018 and side access panel 17303-02 rev B. Install as per the following modification instruction.</p> <p>Package old access panels in original box and return to;</p> <p>Hovey Industries Ltd. 2793 Fenton road Gloucester, ON K1T-3T9</p>



TITLE	YARDMASTER 200 SUBASSEMBLY	DRAWING NUMBER	REV.
		12388	A
			SHT. 1/1

REMOVE EXISTING 1/8" X 1/2" NEOPRENE GASKET AND APPLY NEW 1/4" X 1/2", APPROX. 20.5" LONG GASKET TO TOP FLANGE. MATERIAL: NEOPRENE/EPT/SBR BLEND CLOSED CELL SPONGE, MEDIUM DENSITY, ADHESIVE BACK, REF. HOVEY P/N 9030-0018



REPLACE SIDE PANEL BY NEW ONE SUPPLIED
REF P/N 17303-02

SCALE 0.100

MATERIAL SEE INDIVIDUAL PARTS	SCALE AS SHOWN	UNLESS OTHERWISE SPECIFIED DIMENSIONS ARE IN INCHES	XX ± 0.03	ANGLES ± 0.5°	HOVEY INDUSTRIES LIMITED		DWG SIZE	A	PRODUCTION RELEASE	03 DEC 01	SFL
			XXX ± 0.01	OTHER -----	DWN SFL	DATE DWN 03 NOV 01	CHKD	DATE	LTR	DESCRIPTION	DATE

