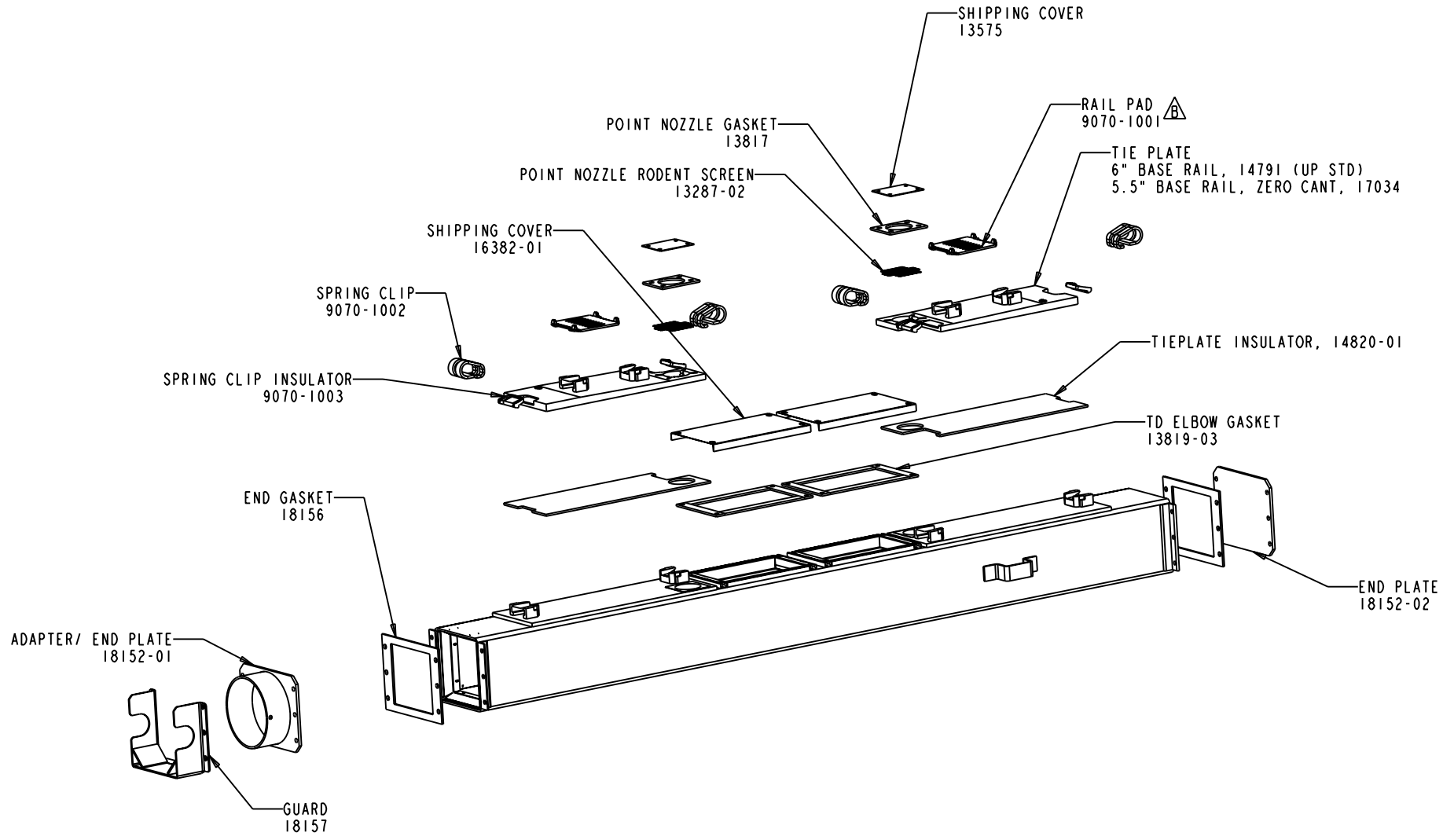


TITLE  
 SPARE PARTS TIEDUCT ASSY,  
 MODEL 18163 10X10 SAFELOK

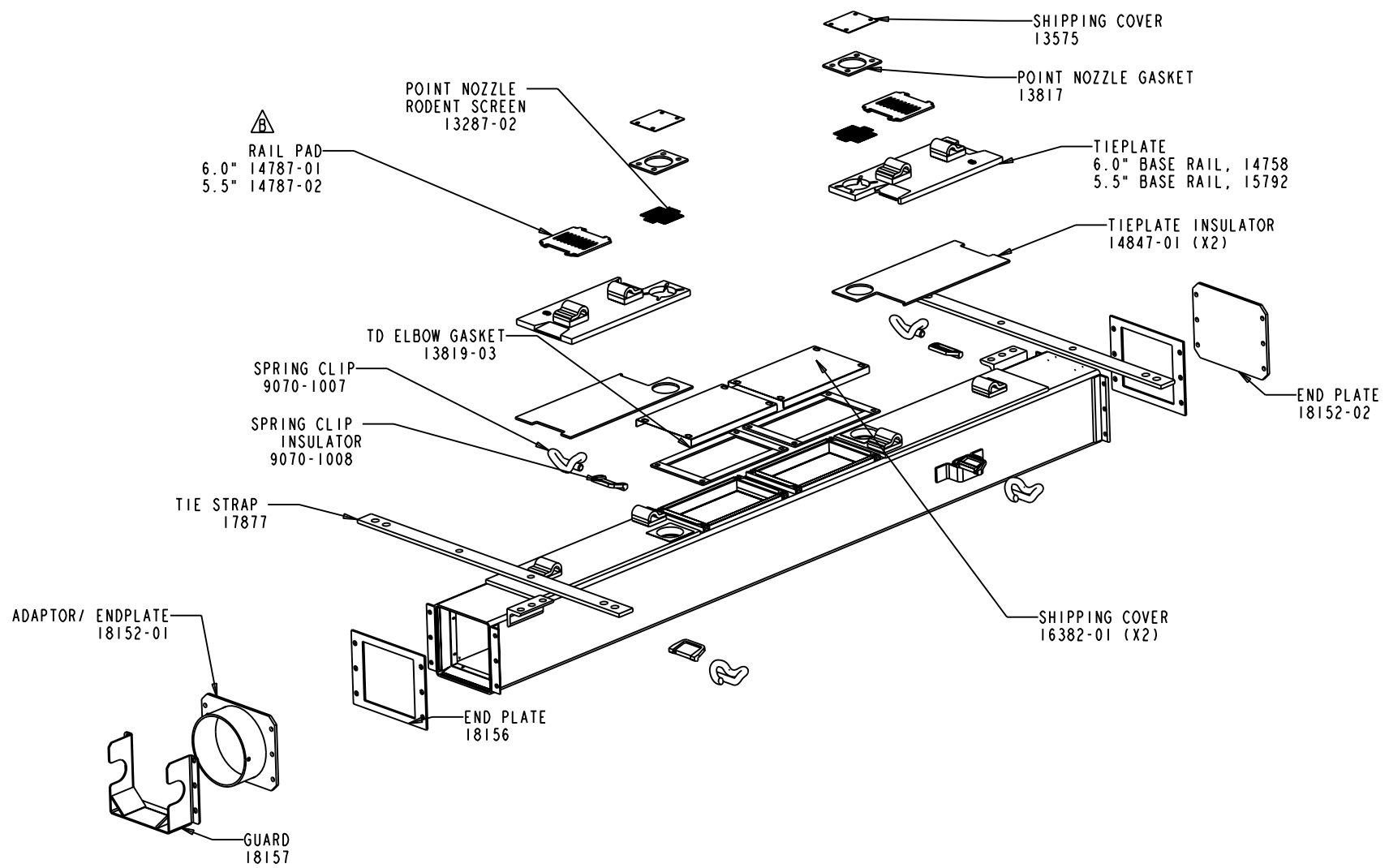
DRAWING NUMBER REV. B  
 11464 SHT. 1/1



MATERIAL	SEE INDIVIDUAL PART DRAWINGS	SCALE AS SHOWN	UNLESS OTHERWISE SPECIFIED DIMENSIONS ARE IN INCHES	xx ± 0.03	ANGLES ± 0.5°	DWC SIZE	B	RAIL PAD 9070-1001 ADDED, ECN 2204	28 FEB 07	AVG
				xxx ± 0.01	OTHER -----		A	PRODUCTION RELEASE, REF ECN 1702	10 MAR 03	
				HOVEY INDUSTRIES (2005) INC.			LTR	DESCRIPTION	DATE	CHKD
				DWN TMH	DATE DWN 10 MAR 03	CHKD	DATE			

TITLE SPARE PARTS TIEDUCT ASSY,  
10X10 PANDROL, MODELS  
18190 & 18192

DRAWING NUMBER REV. B  
11465 SHT. 1/1



SCALE 0.050

MATERIAL SEE INDIVIDUAL  
PART DRAWINGS

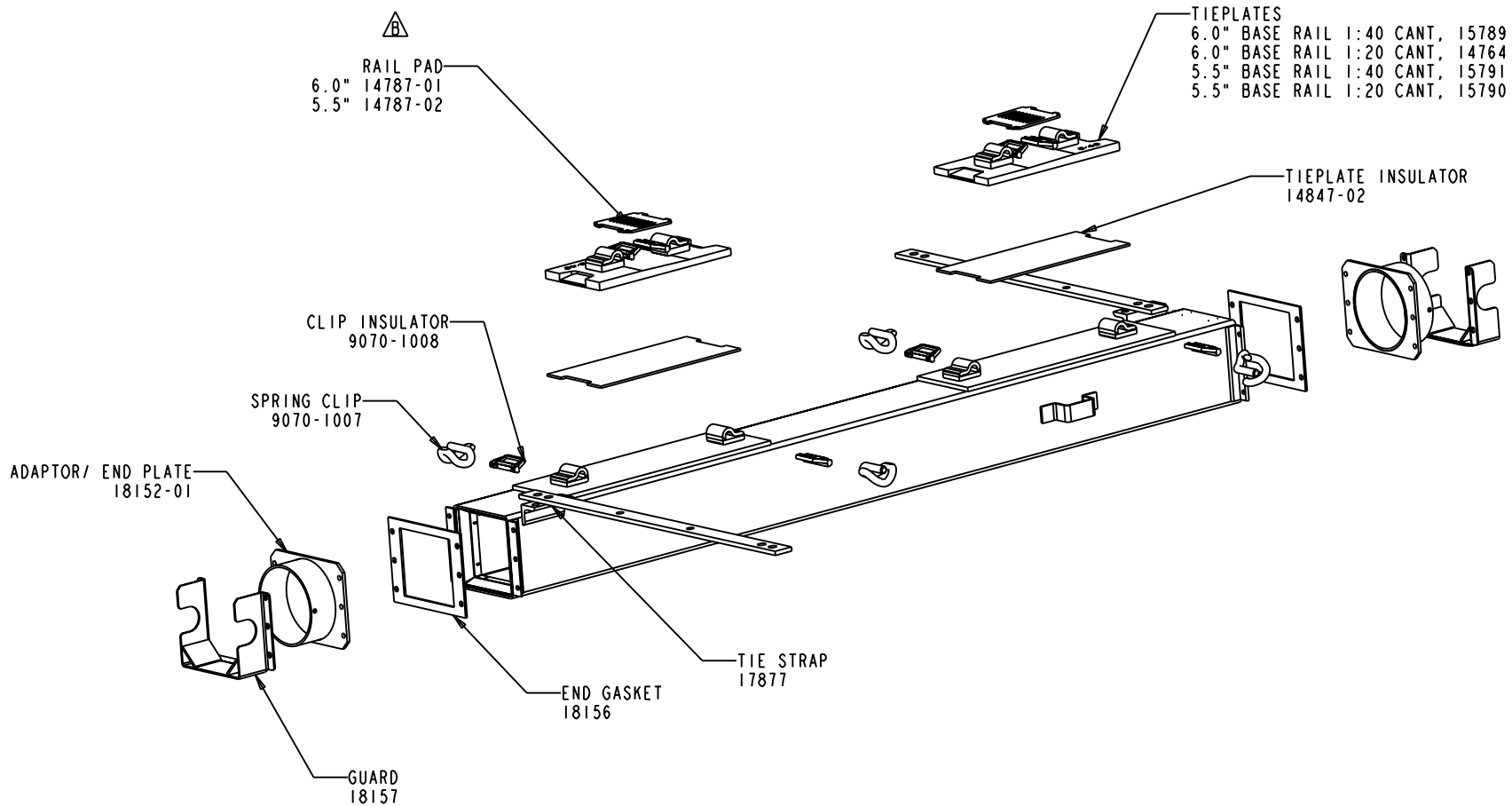
SCALE AS SHOWN  
UNLESS OTHERWISE SPECIFIED  
DIMENSIONS ARE IN INCHES  
XX ± 0.03  
XXX ± 0.01  
ANGLES ± 0.5°  
OTHER -----

HOVEY INDUSTRIES (2005) INC.  
DWN TMH DATE DWN 10 MAR 03 CHKD DATE

DWG SIZE	DESCRIPTION	DATE	CHKD
B	RAIL PAD 14787-01 & 02 ADDED, ECN 2204	28 FEB 07	AVG
A	PRODUCTION RELEASE, REF ECN 1702	10 MAR 03	
AI			

TITLE SPARE PARTS, TIEDUCT ASSY,  
10 X 10 PANDROL NO HOLES,  
MODELS 18197, 18 18198

DRAWING NUMBER	REV.
11466	B
SHT.	1/1



MATERIAL SEE INDIVIDUAL  
PART DRAWINGS

SCALE  
AS SHOWN

UNLESS OTHERWISE SPECIFIED  
DIMENSIONS ARE IN INCHES

xx ± 0.03	ANGLES ± 0.5°
xxx ± 0.01	OTHER -----

HOVEY INDUSTRIES (2005) INC.

DWN	DATE DWN	CHKD	DATE
TMH	10 MAR 03		

DWG  
SIZE  
A1

B	RAIL PAD 14787-01 &-02 ADDED, ECN 2204	28 FEB 07	AVG
A	PRODUCTION RELEASE, REF ECN 1702	10 MAR 03	
LTR	DESCRIPTION	DATE	CHKD