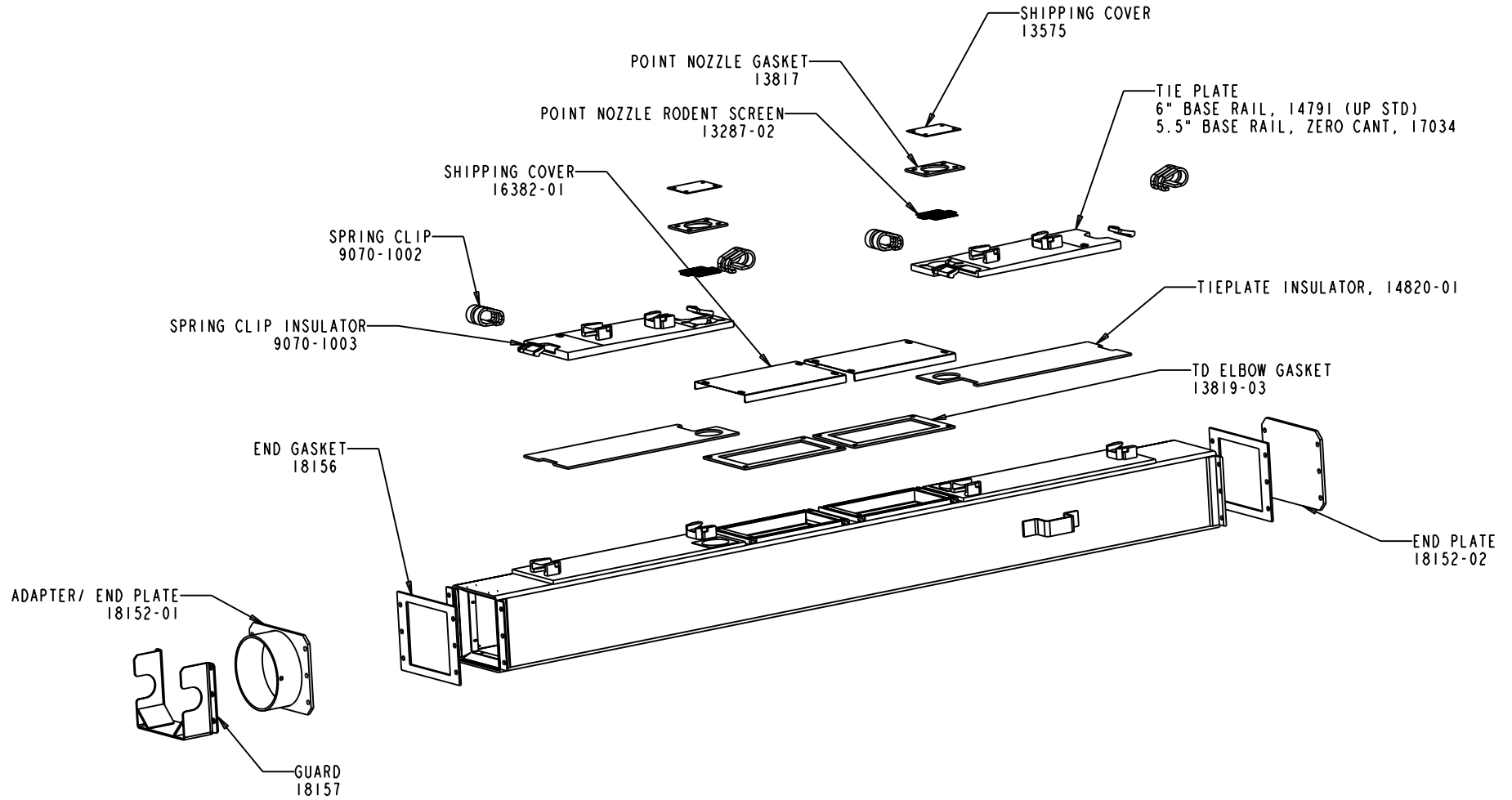


TITLE
 SPARE PARTS TIE DUCT ASSY,
 MODEL 18163 10X10 SAFELOK

DRAWING NUMBER REV. A
 11464 SHT. 1/1



MATERIAL SEE INDIVIDUAL PART DRAWINGS

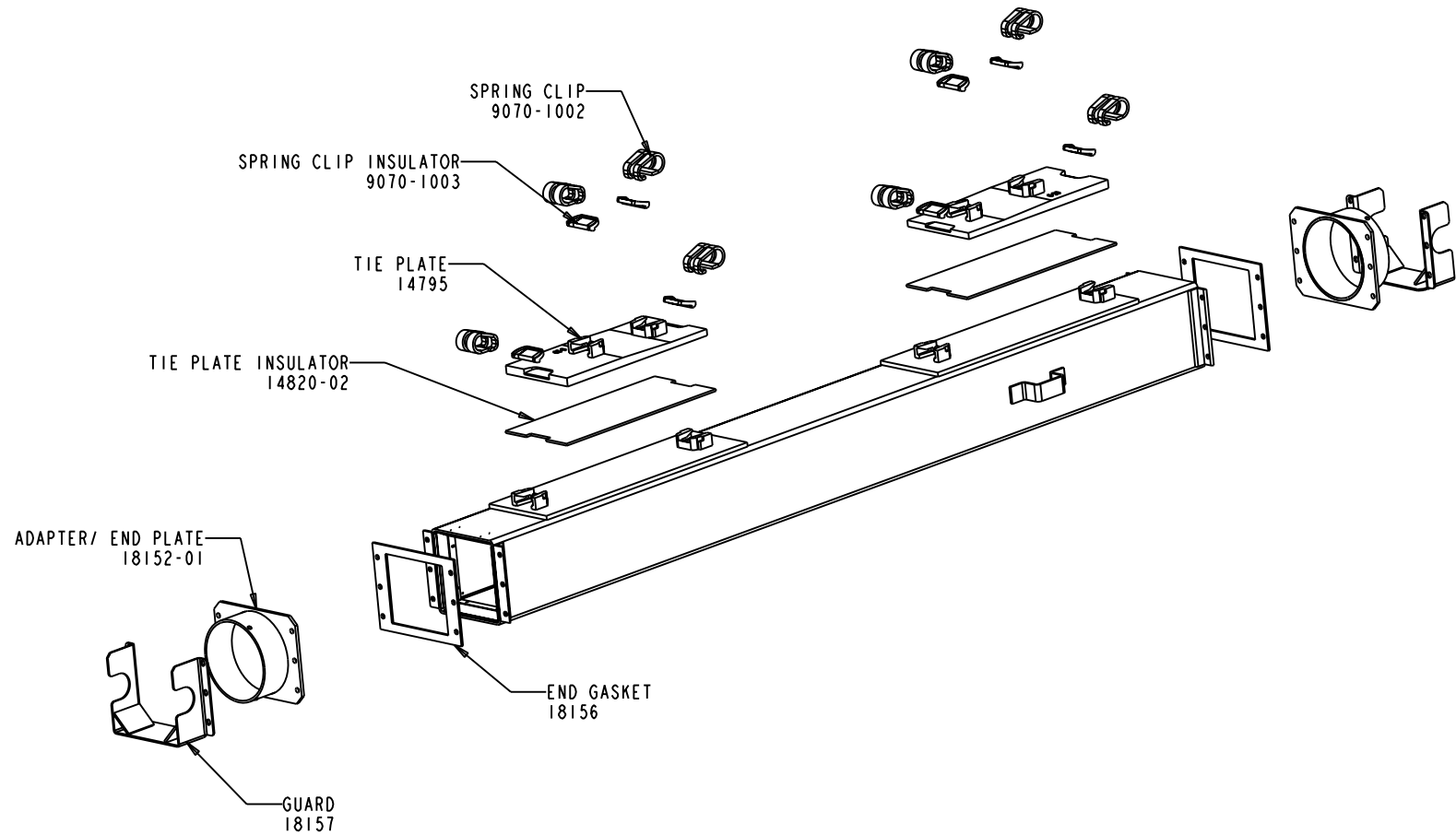
SCALE AS SHOWN
 UNLESS OTHERWISE SPECIFIED DIMENSIONS ARE IN INCHES
 XX ± 0.03
 XXX ± 0.01
 ANGLES ± 0.5°
 OTHER -----

HOVEY INDUSTRIES LIMITED
 DWN TMH DATE DWN 10 MAR 03 CHKD DATE

DWG SIZE	A	PRODUCTION RELEASE, REF ECM 1702	10 MAR 03
AI	LTR	DESCRIPTION	DATE CHKD

TITLE
 SPARE PARTS, EXTENSION TIE DUCT
 MODEL 18199, 10X10 SAFELOCK

DRAWING NUMBER	REV. A
11472	SHT. 1/1



MATERIAL SEE INDIVIDUAL PART DRAWINGS

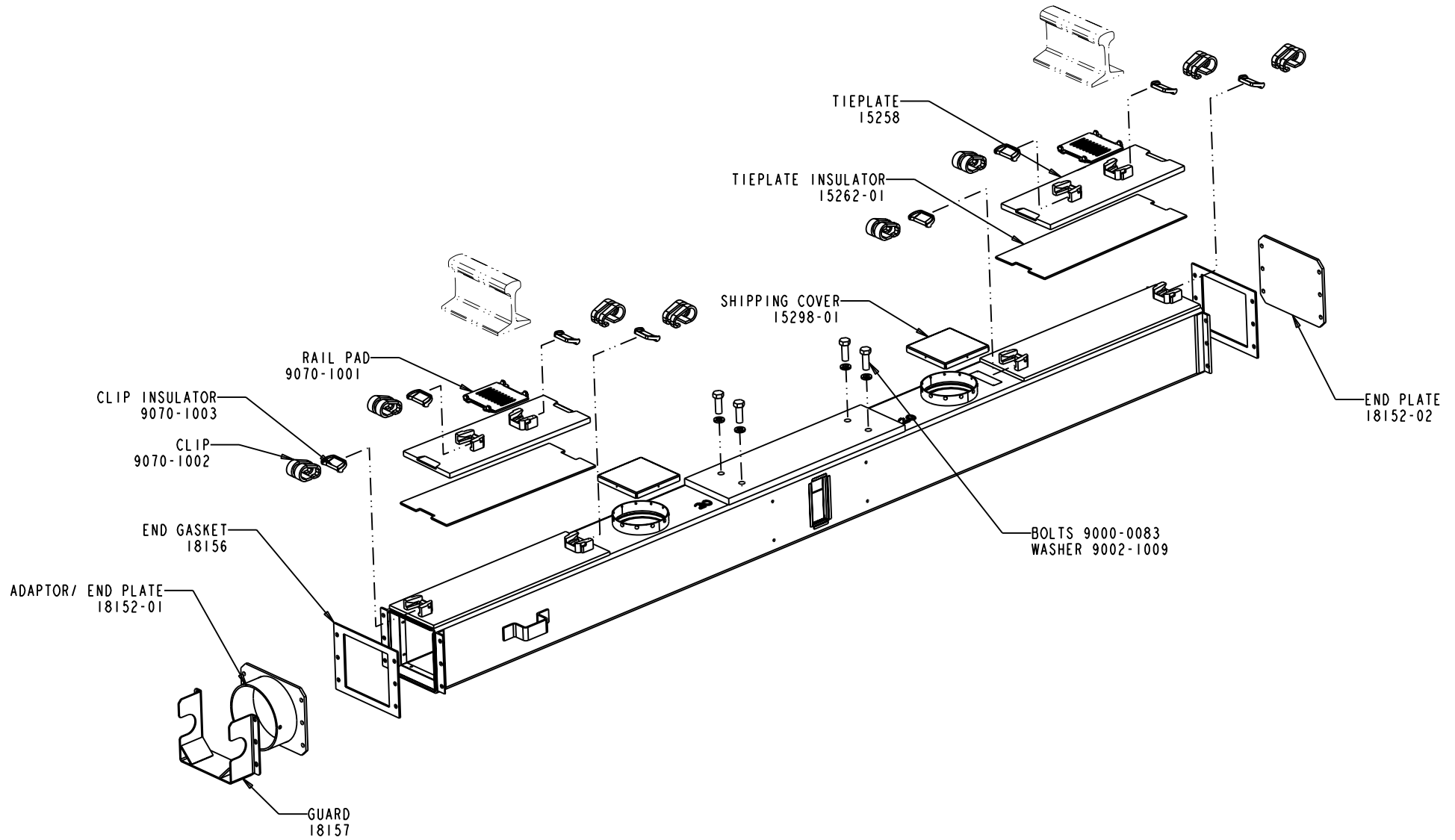
SCALE AS SHOWN
 UNLESS OTHERWISE SPECIFIED DIMENSIONS ARE IN INCHES
 XX ± 0.03
 XXX ± 0.01
 ANGLES ± 0.5°
 OTHER

HOVEY INDUSTRIES LIMITED
 DWN TMH DATE DWN 19 MAR 03 CHKD DATE

DWG SIZE	A	PRODUCTION RELEASE, REF ECM 1702	19 MAR 03
AI	LTR	DESCRIPTION	DATE CHKD

TITLE
 SPARE PARTS, MPF TIEUCT SYS, NORTRAK
 UP CONFIG, #20, #30, MODELS 18185,
 & 18191

DRAWING NUMBER REV. A
 11467 SHT. 1/1



MATERIAL
 SEE INDIVIDUAL
 PART DRAWINGS

SCALE
 AS SHOWN

UNLESS OTHERWISE SPECIFIED
 DIMENSIONS ARE IN INCHES
 XX ± 0.03
 XXX ± 0.01
 ANGLES ± 0.5°
 OTHER -----

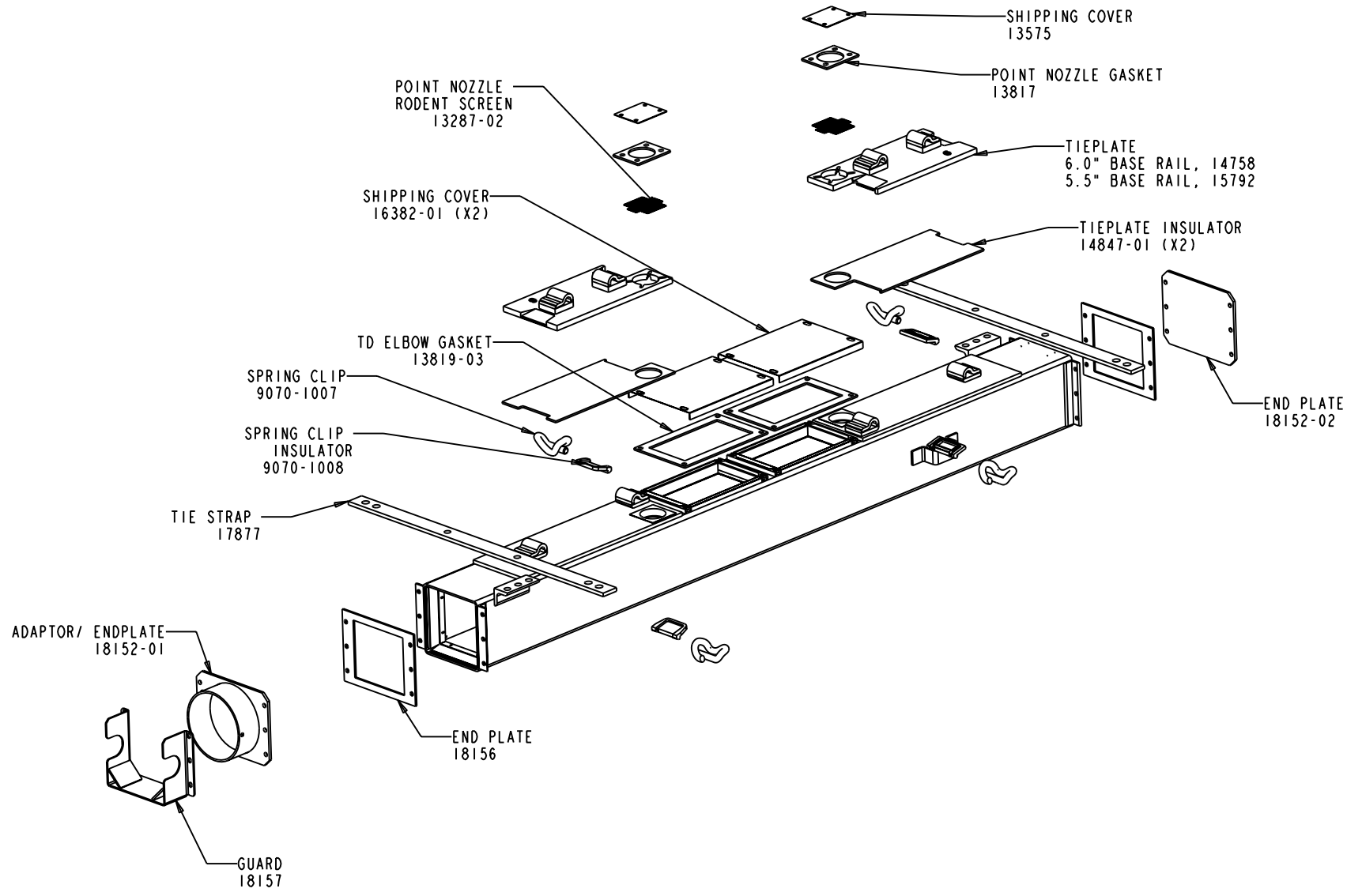
HOVEY INDUSTRIES LIMITED

DWG SIZE
 A1 LTR

PRODUCTION RELEASE, REF ECM 1702	11 MAR 03	CHKD
DESCRIPTION	DATE	CHKD

TITLE SPARE PARTS TIEUCT ASSY,
10X10 PANDROL, MODELS
18190 & 18192

DRAWING NUMBER REV. A
11465 SHT. 1/1



MATERIAL SEE INDIVIDUAL PART DRAWINGS

SCALE AS SHOWN
UNLESS OTHERWISE SPECIFIED DIMENSIONS ARE IN INCHES
XX ± 0.03
XXX ± 0.01
ANGLES ± 0.5°
OTHER -----

HOVEY INDUSTRIES LIMITED
DWN TMH DATE DWN 10 MAR 03 CHKD DATE

DWG SIZE	A	PRODUCTION RELEASE, REF ECN 1702	10 MAR 03
AI	LTR	DESCRIPTION	DATE CHKD

