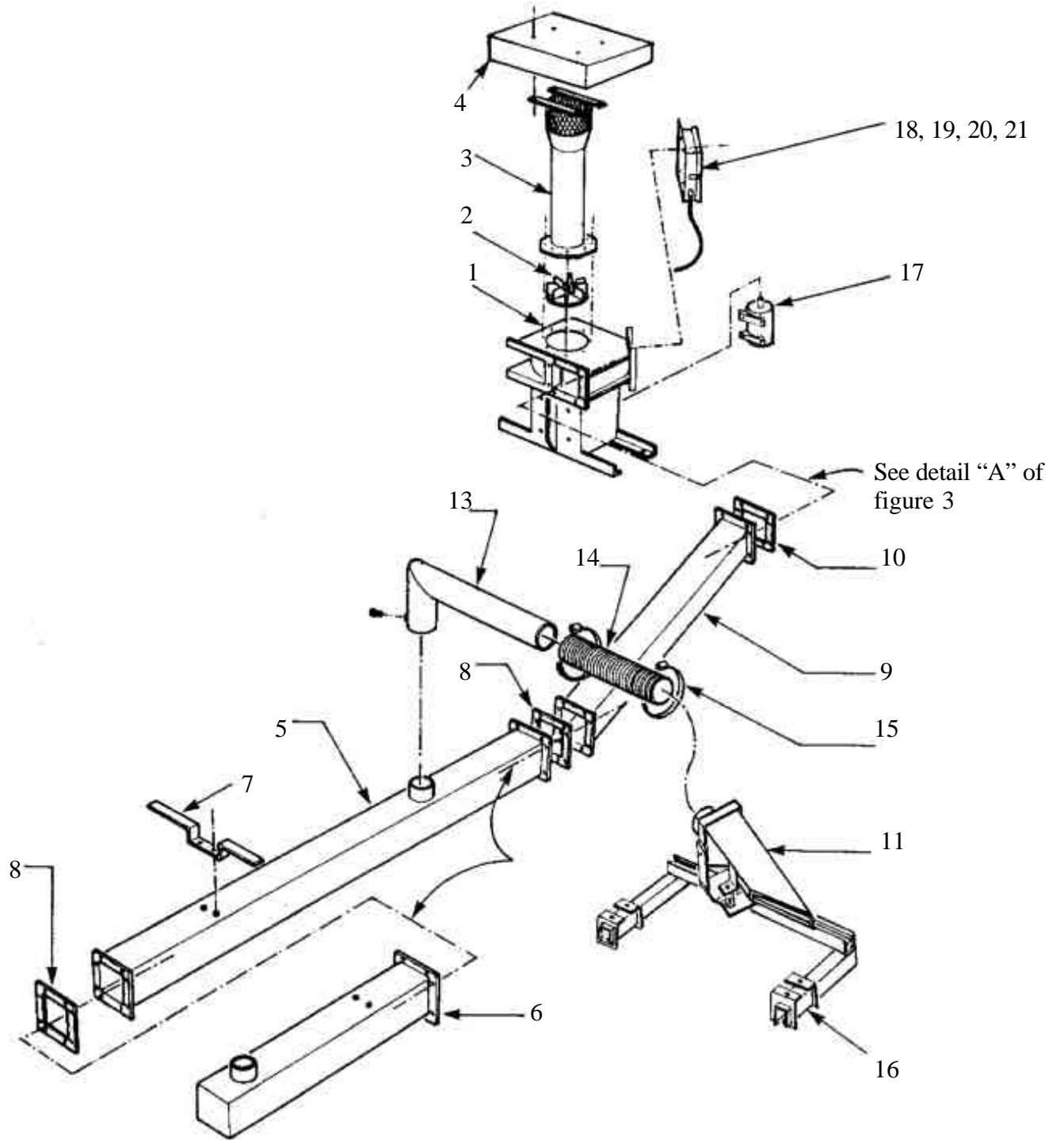
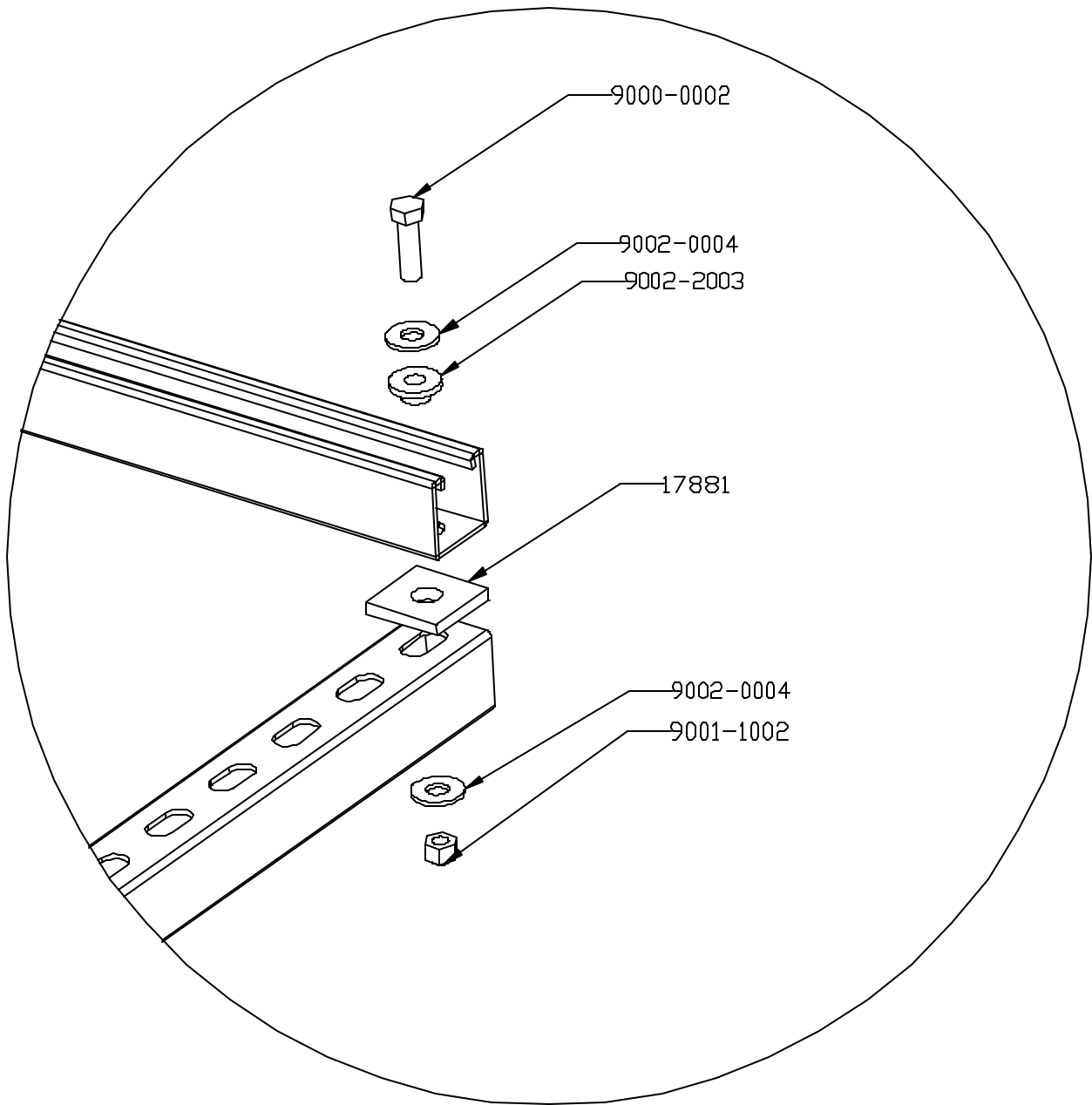


7.0 PART LIST

HORIZONTAL AIR CURTAIN for HOT BOX DETECTORS

ITEM #	PART NUMBER	DESCRIPTION	QUANTITY / UNIT
1	15717	Blower Housing	1
2	15724	Blower Wheel	1
3	15727	Air Stack Assembly	1
4	15734	Hood	1
5	15735	Section 1, Crossduct	1
6	15736	Section 2, Crossduct	1
7	15741	Crossduct Mounting Bracket	2
8	15742	Gasket Kit, Crossduct	2
9	15743	Diffuser	1
10	15747	Gasket Kit, Diffuser	1
11	10703-2	Nozzle, Hot Box Detector [LH]	1
12	10703-1	Nozzle, Hot Box Detector [RH], [Not shown for pictorial clarity]	1
13	15748	Nozzle, Swivel	2
14	15749	Flexhaust [4" ID x 36" Lg]	2
15	9022-0004	SST Hose Clamp	4
16	10712	Mounting Brackets, [to be ordered separately]	2
17	9016-0028	Motor, 1.5 HP, 115/230 Vac	1
18	9016-1026	220 Volt, Selector Switch	1
19	14845	Electrical Box	1
20	12036	Temperature Switch	1
21	9078-0035	Motor Starter, 230 Vac	1
or	9078-0036	Motor Starter, 115 Vac	1





Detail B – Unistrut electrical insulation