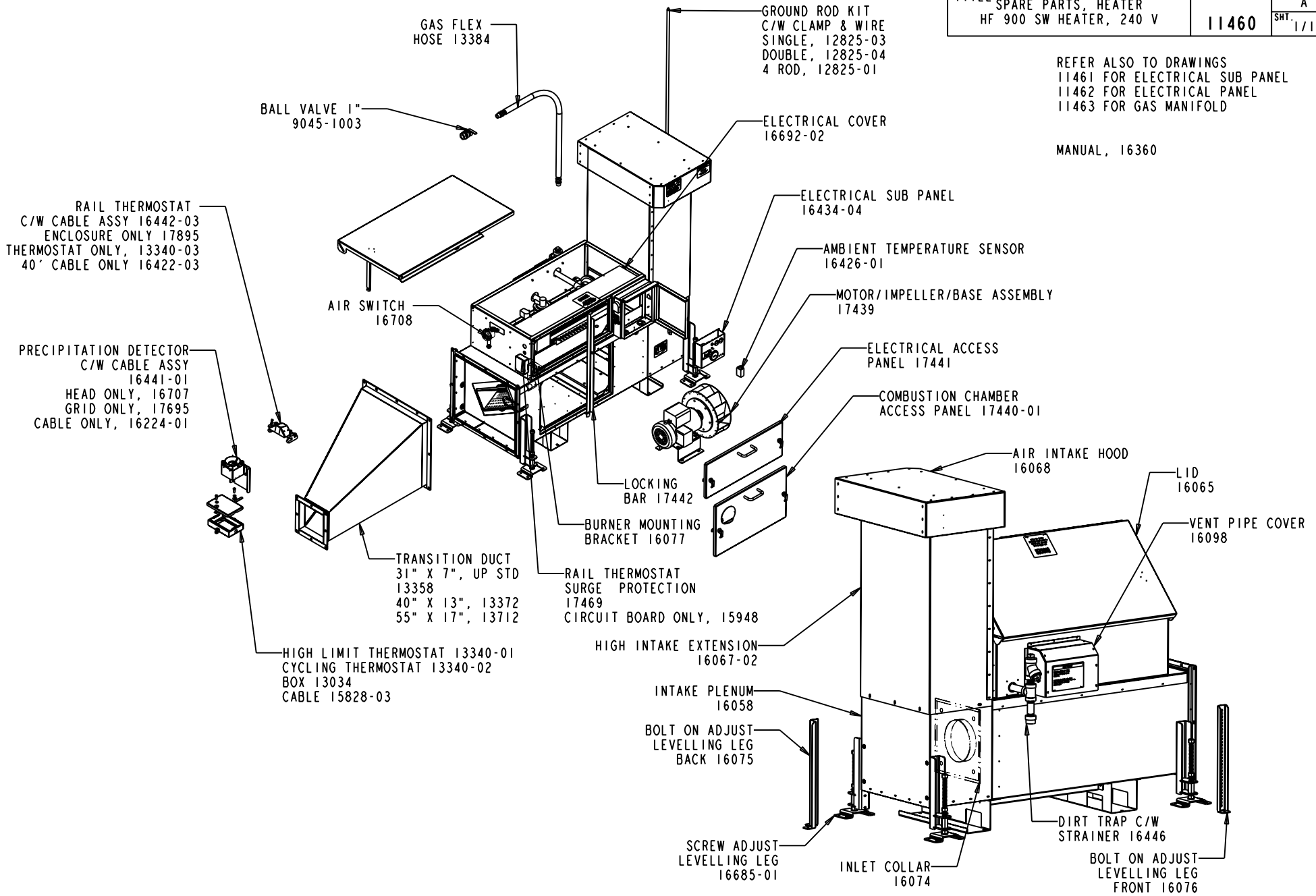


TITLE	SPARE PARTS, HEATER HF 900 SW HEATER, 240 V	DRAWING NUMBER	11460	REV.	A
				SHT.	1/1

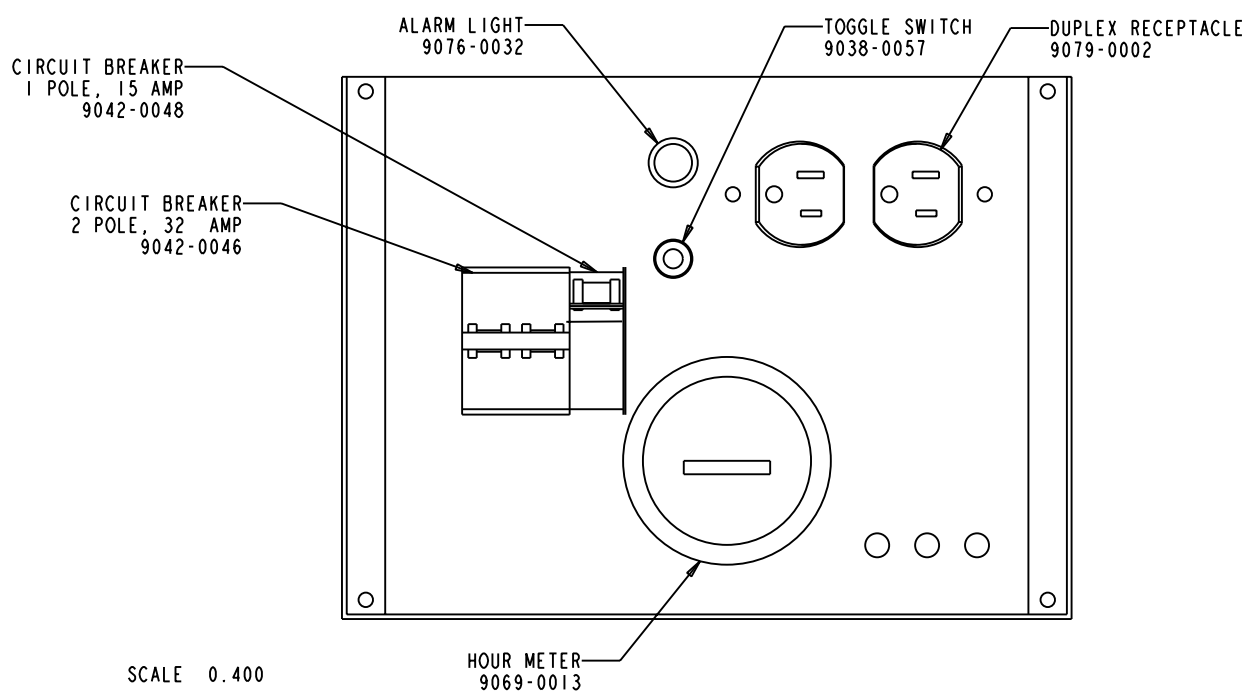
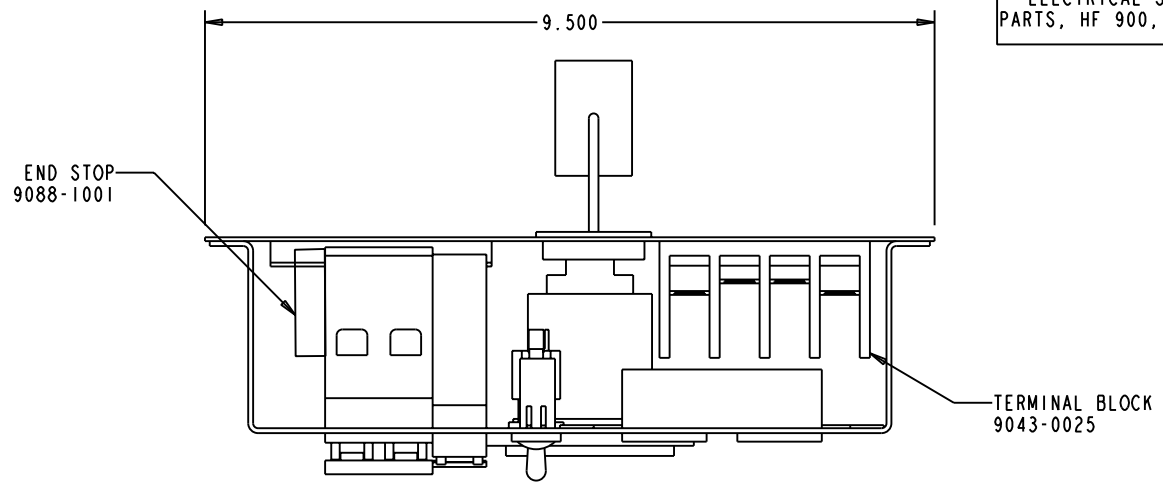
REFER ALSO TO DRAWINGS
11461 FOR ELECTRICAL SUB PANEL
11462 FOR ELECTRICAL PANEL
11463 FOR GAS MANIFOLD

MANUAL, 16360



MATERIAL	AS SHOWN	SCALE	AS SHOWN	UNLESS OTHERWISE SPECIFIED DIMENSIONS ARE IN INCHES	XX ± 0.03 XXX ± 0.01	ANGLES ± 0.5° OTHER -----	HOVEY INDUSTRIES LIMITED	DWG SIZE	A	PRODUCTION RELEASE, REF ECM 1702	05 MAR 03	
							DWN	AI	LTR	DESCRIPTION	DATE	CHKD
							TMH					
							DATE					
							04 MAR 03					

TITLE ELECTRICAL SUB PANEL SPARE PARTS, HF 900, SW HEATER, 240 V	DRAWING NUMBER	REV.
	11461	A
	SHT.	1/1



MATERIAL	AS SHOWN
----------	----------

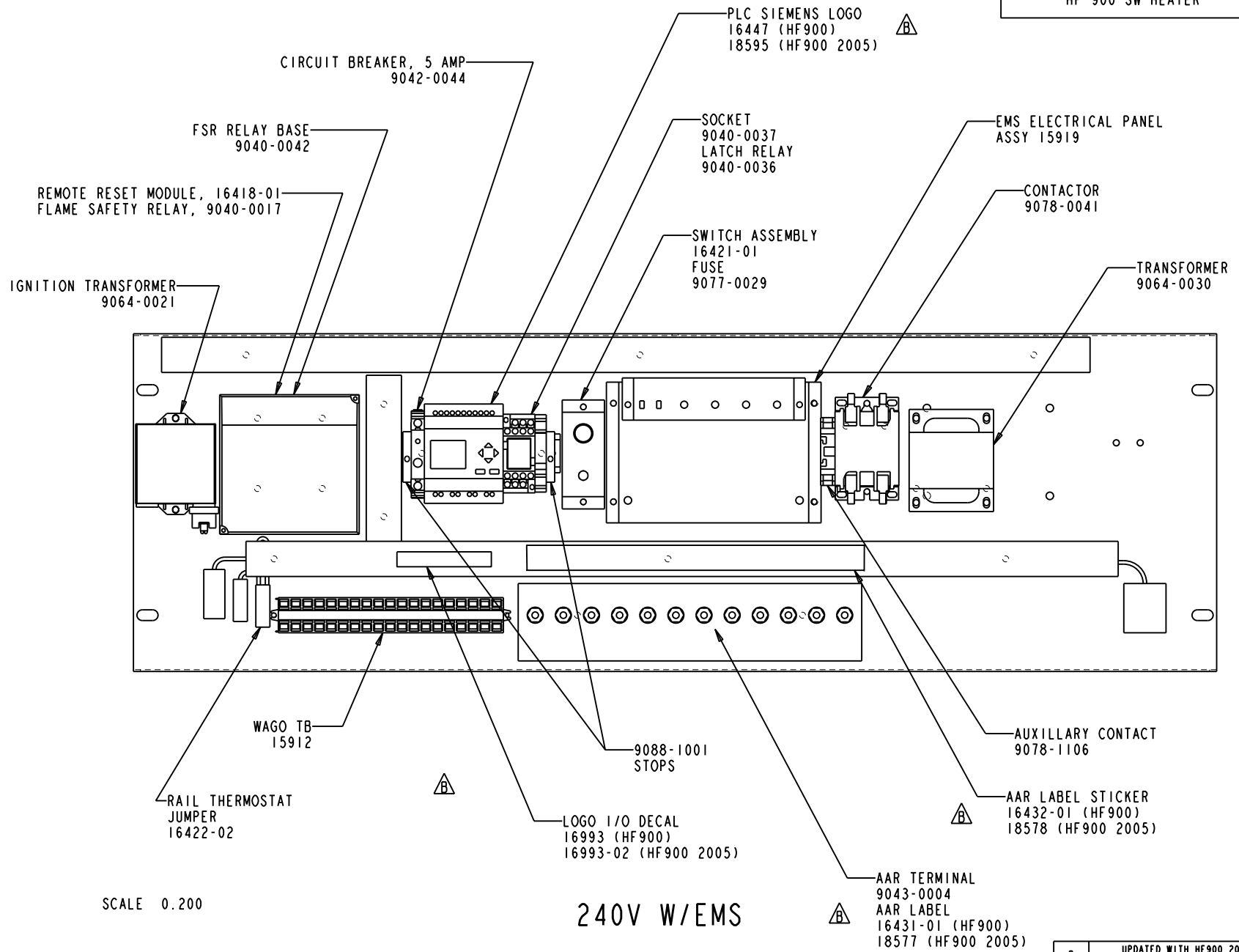
SCALE	UNLESS OTHERWISE SPECIFIED DIMENSIONS ARE IN INCHES	XX ± 0.03 XXX ± 0.01	ANGLES ± 0.5° OTHER
AS SHOWN			

HOVEY INDUSTRIES LIMITED			
DWN	DATE DWN	CHKD	DATE
TMH	05 MAR 03		

DWG SIZE	A	PRODUCTION RELEASE, REF ECN 1702	05 MAR 03
AI	LTR	DESCRIPTION	DATE
			CHKD

TITLE
SPARE PARTS, ELECTRICAL PANEL
HF 900 SW HEATER

DRAWING NUMBER	REV.
11462	B
	SHT.
	1/3



SCALE 0.200

240V W/EMS

MATERIAL PER MATERIAL LIST

SCALE AS SHOWN

UNLESS OTHERWISE SPECIFIED DIMENSIONS ARE IN INCHES

XX ± 0.03
XXX ± 0.01

ANGLES ± 0.5°
OTHER -----

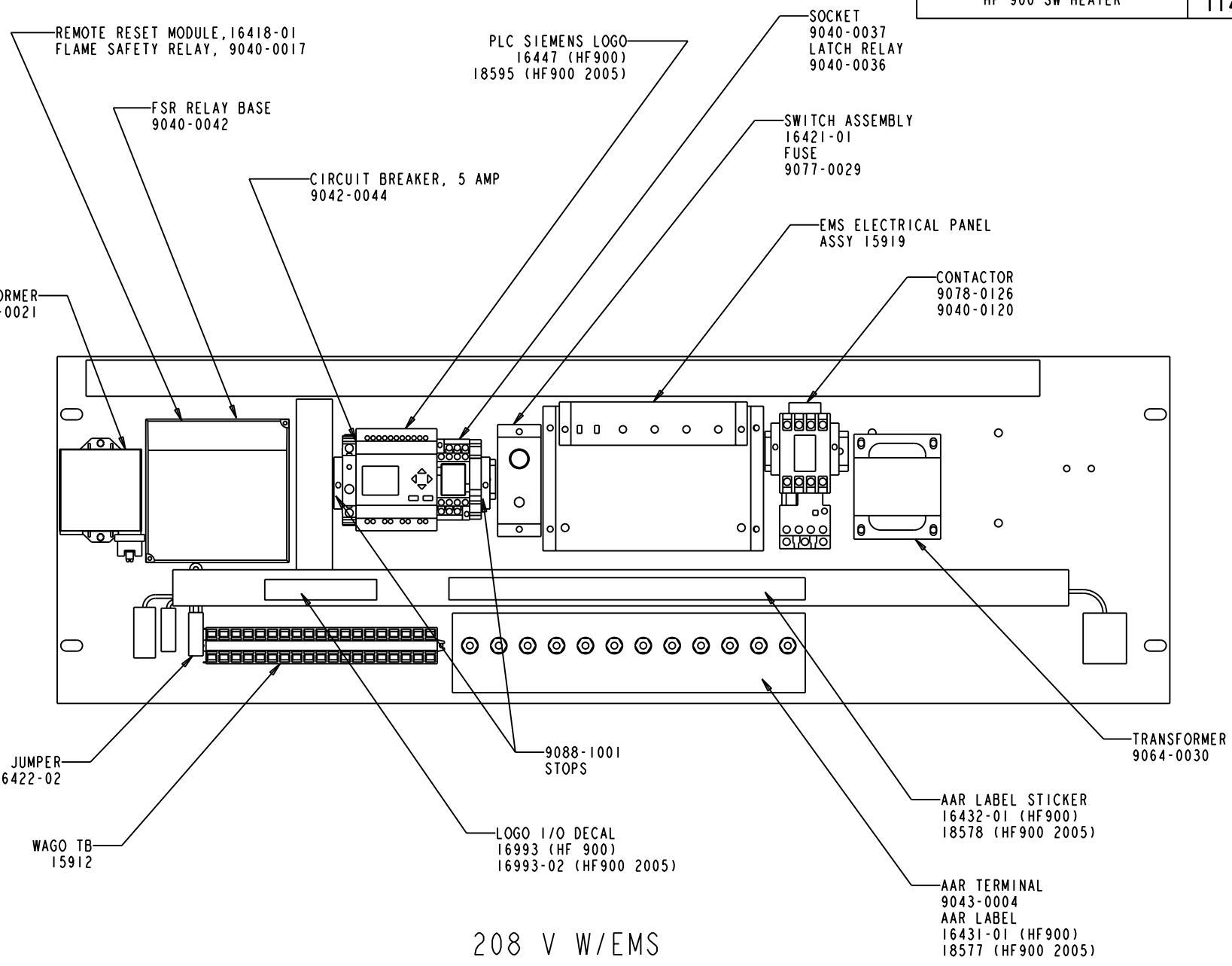
HOVEY INDUSTRIES LIMITED

DWG SIZE AI

DWN TMH DATE DWN 05 MAR 03

CHKD DATE

B	UPDATED WITH HF900 2005 PARTS ECN 1944E	18 APR 05	AVG
A	PRODUCTION RELEASE, REF ECN 1702	05 MAR 03	
LTR	DESCRIPTION	DATE	CHKD



MATERIAL	SCALE
PER MATERIAL LIST	AS SHOWN

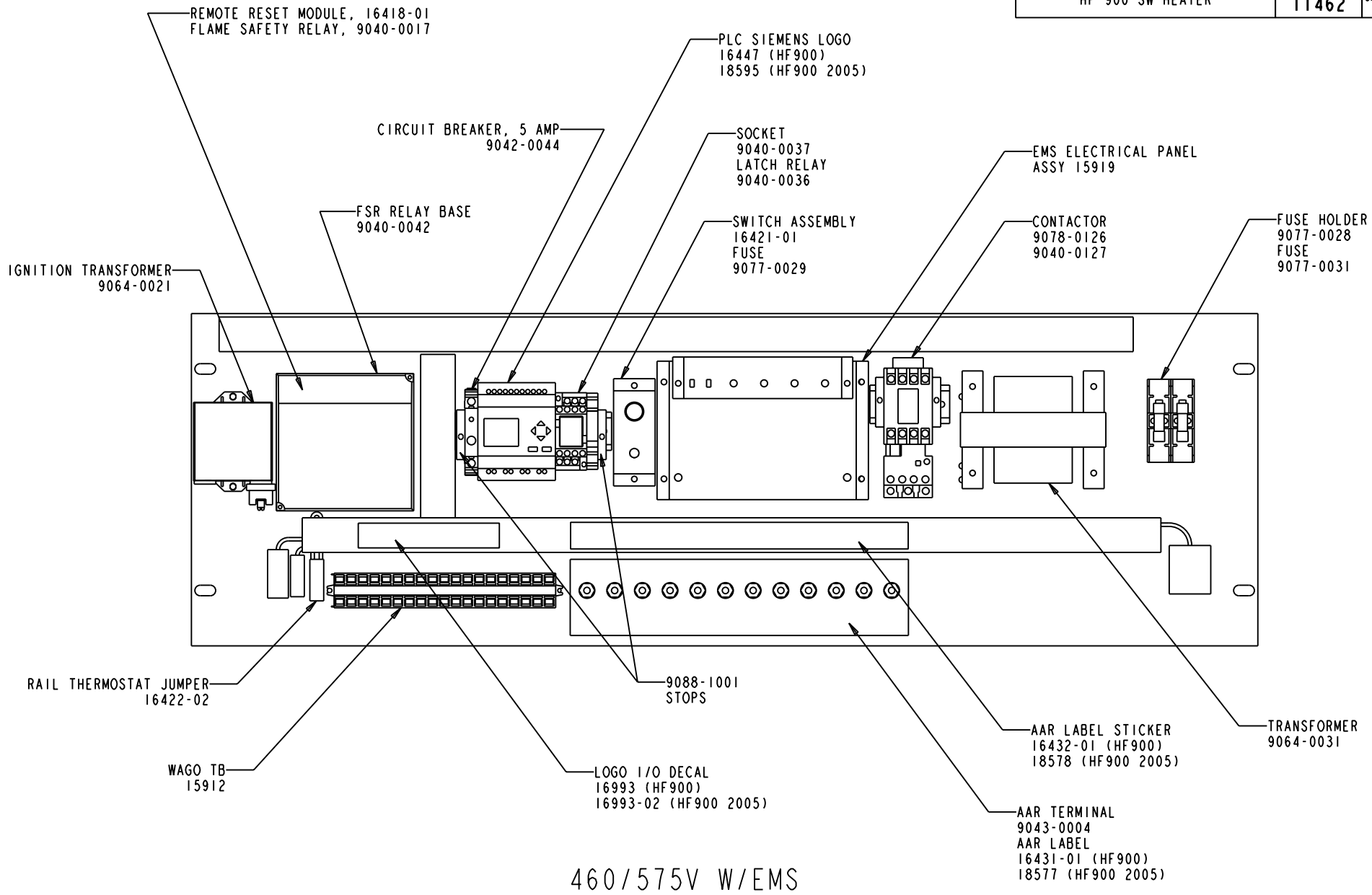
UNLESS OTHERWISE SPECIFIED DIMENSIONS ARE IN INCHES	XX ± 0.03 XXX ± 0.01	ANGLES ± 0.5° OTHER -----
--	-------------------------	------------------------------

HOVEY INDUSTRIES LIMITED			
DWN	DATE DWN	CHKD	DATE
AVG	18 APR 05		

DWG SIZE	B	THIS SHEET ADDED, ECN 1944E	18 APR 05	AVG
AI	LTR	DESCRIPTION	DATE	CHKD

TITLE
SPARE PARTS, ELECTRICAL PANEL
HF 900 SW HEATER

DRAWING NUMBER REV. B
11462 SHT. 3/3



460/575V W/EMS

SCALE 0.200

MATERIAL
PER MATERIAL LIST

SCALE
AS SHOWN

UNLESS OTHERWISE SPECIFIED
DIMENSIONS ARE IN INCHES

XX ± 0.03
XXX ± 0.01

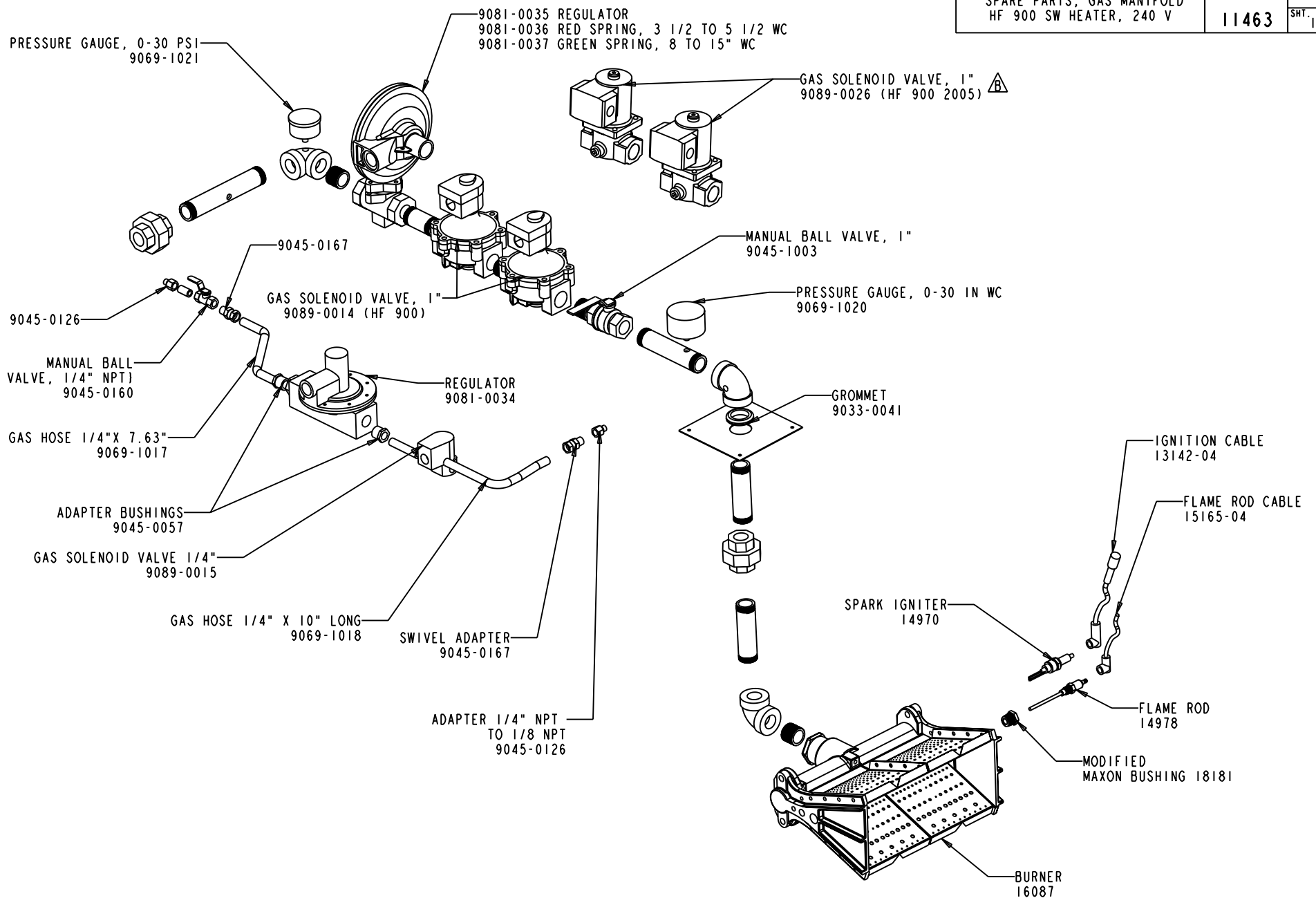
ANGLES ± 0.5°
OTHER

HOVEY INDUSTRIES LIMITED

DWN AVG DATE DWN 18 APR 05

CHKD DATE

DWG SIZE	B	THIS SHEET ADDED, ECN 1944E	18 APR 05	AVG
AI	LTR	DESCRIPTION	DATE	CHKD



SCALE 0.110

MATERIAL	AS SHOWN
----------	----------

SCALE	UNLESS OTHERWISE SPECIFIED DIMENSIONS ARE IN INCHES	XX \pm 0.03 XXX \pm 0.01	ANGLES \pm 0.5° OTHER -----
AS SHOWN			

HOVEY INDUSTRIES LIMITED			
DWN	DATE DWN	CHKD	DATE
TMH	06 MAR 03		

DWG SIZE	B	GAS SOLENOID VALVES 9089-0026 ADDED BURNER PICTORALLY UPDATED, ECN 1944D	24 MAY 05	AVG
	A	PRODUCTION RELEASE, REF ECN 1702	06 MAR 03	
LTR		DESCRIPTION	DATE	CHKD