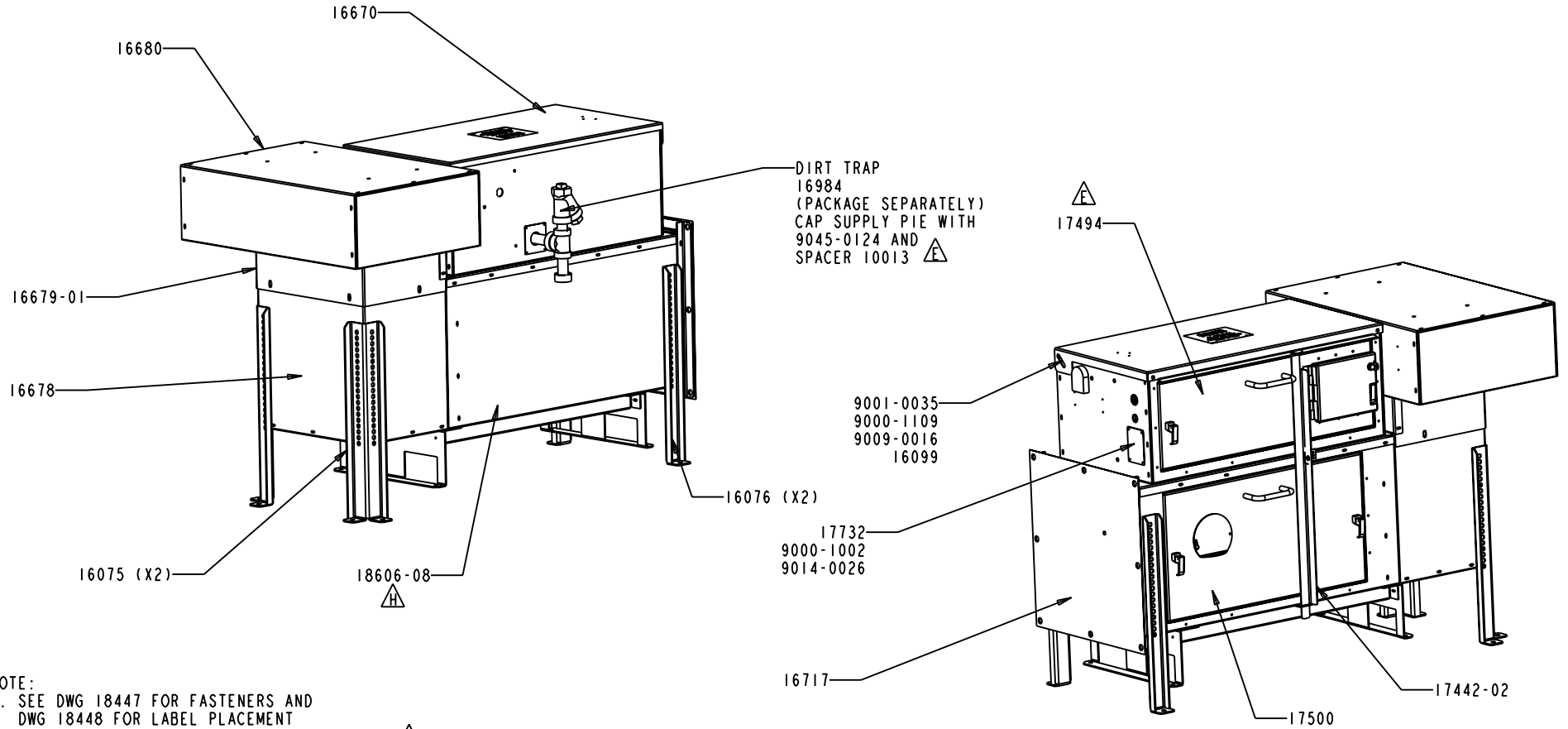


PACKAGED LOOSE	
12241	INSLT KIT
13341-03	THERMO INSLT KIT
16738	GSKT KIT
16740	DOC PKG

TITLE	HF 400, 575V CN SPEC W/BOLT-ON LEGS	DRAWING NUMBER	18008	REV.	H
				SHT.	4/4



- NOTE:
- SEE DWG 18447 FOR FASTENERS AND DWG 18448 FOR LABEL PLACEMENT
 - LOAD PROGRAM 18504 INTO PLC ONCE WIRING IS COMPLETED THEN ADD LABEL 18579
 - INSTALL GROMMET 9033-0037 TO SEAL HOLE AT BOTTOM OF THE AIR INTAKE EXTENSION
 - TEST ACCORDING TO TEST SHEET 18603

SCALE 0.060

18008-04
LOW INTAKE W/O EMS

H	NOTE 3 AND P/N 18606-08 ADDED, 18504 WAS 17688, 18579 WAS 17733, DWG REARRANGED SHEET #5&6 REMOVED, 18603 WAS 16366, ECN 2112	15 MAY 06	AVG
G	SEE SHEET #5 FOR CHANGES, ECN 2054	7 NOV 05	AVG
F	SEE SHEET #1, 2&6 FOR CHANGES, ECN 1855	6 AUG 04	AVG
E	NOTE ADDED, 17494 WAS 17499 9045-124 WAS 9009-0017, ECN 1802	3 MAY 04	AVG
LTR	DESCRIPTION	DATE	CHKD

MATERIAL	SCALE
SEE INDIVIDUAL PARTS DRAWING	AS SHOWN

UNLESS OTHERWISE SPECIFIED DIMENSIONS ARE IN INCHES	XX ± 0.03 XXX ± 0.01	ANGLES ± 0.5° OTHER -----
---	-------------------------	------------------------------

HOVEY INDUSTRIES 2005 INC				DWG SIZE
DWN	DATE DWN	CHKD	DATE	AI
MEP	19 MAR 02			