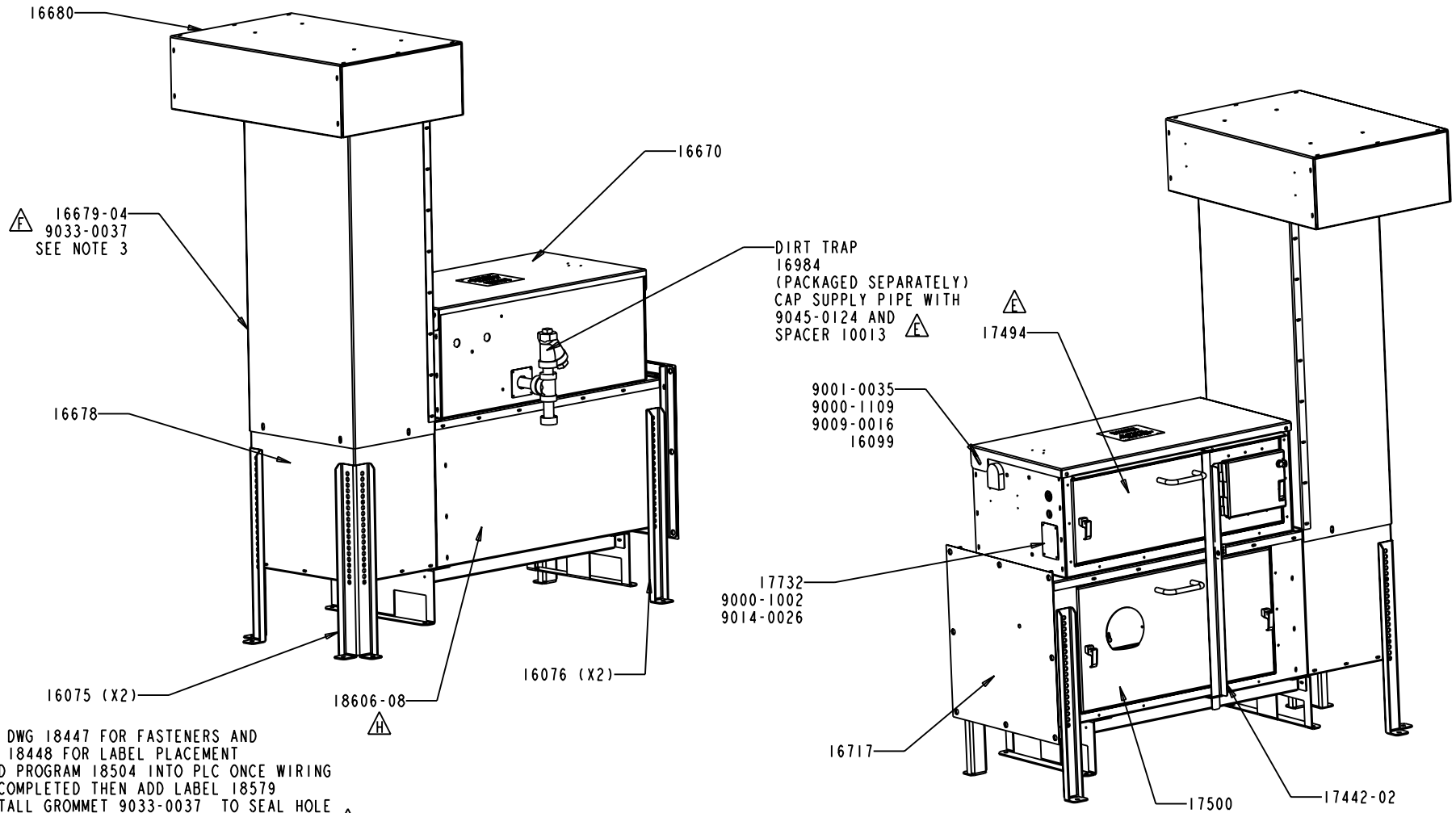


PACKAGED LOOSE	
12241	INSLT KIT
13341-03	THERMO INSLT KIT
16738	GSKT KIT
16740	DOC PKG

TITLE	HF 400, 575V CN SPEC W/BOLT-ON LEGS	DRAWING NUMBER	18008	REV.	H
				SHT.	2/4



- NOTE:
1. SEE DWG 18447 FOR FASTENERS AND DWG 18448 FOR LABEL PLACEMENT
 2. LOAD PROGRAM 18504 INTO PLC ONCE WIRING IS COMPLETED THEN ADD LABEL 18579
 3. INSTALL GROMMET 9033-0037 TO SEAL HOLE AT BOTTOM OF THE AIR INTAKE EXTENSION
 4. TEST ACCORDING TO TEST SHEET 18603

SCALE 0.060

18008-02
HIGH INTAKE W/O EMS

REV	DESCRIPTION	DATE	CHKD
H	18603 WAS 16366, 18606-08 ADDED, DWG REARRANGED SHEET #5186 REMOVED, ECN 2112	15 MAY 06	AVG
G	SEE SHEET#5 FOR CHANGES, ECN 2054	7 NOV 05	AVG
F	GROMMET 9033-0037 AND NOTE 3 ADDED ECN 1855	6 AUG 04	AVG
E	NOTE ADDED, 17494 WAS 17499 9045-0124 WAS 9009-0017, ECN 1802	3 MAY 04	AVG
LTR	DESCRIPTION	DATE	CHKD

MATERIAL	SCALE
SEE INDIVIDUAL PARTS DRAWING	AS SHOWN

UNLESS OTHERWISE SPECIFIED DIMENSIONS ARE IN INCHES	XX ± 0.03 XXX ± 0.01	ANGLES ± 0.5° OTHER -----
---	-------------------------	------------------------------

HOVEY INDUSTRIES 2005 INC			
DWN	DATE DWN	CHKD	DATE
MEP	19 MAR 02		

DWG SIZE	AI
----------	----