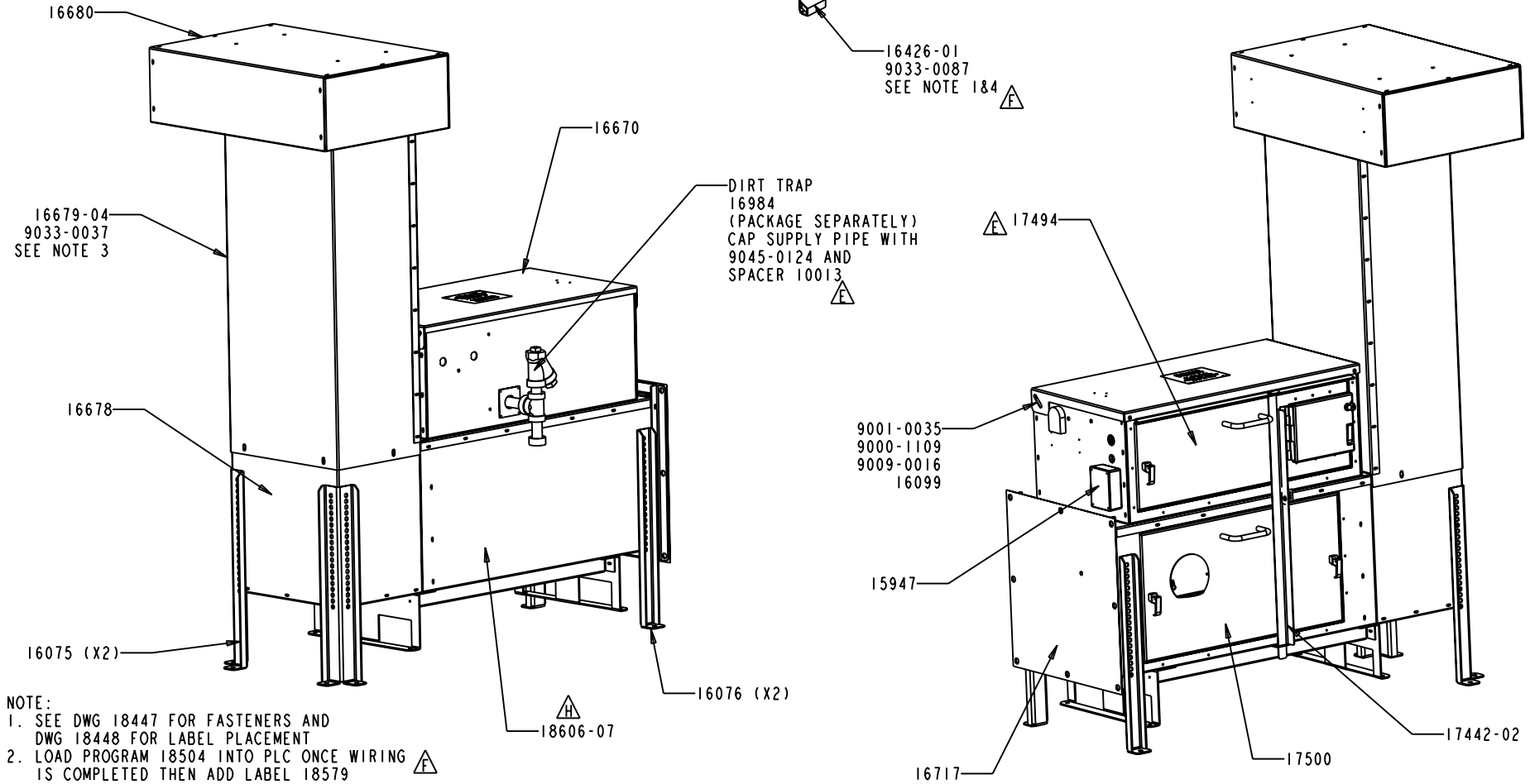
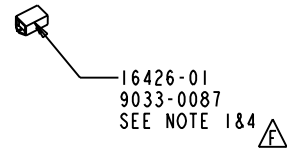
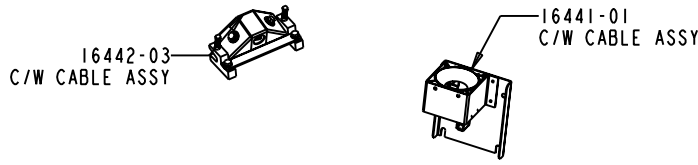


PACKAGED LOOSE	
12241	INSTR KIT
13341-03	THERMO INSTR KIT
16738	GSKT KIT
16740	DOC PKG



- NOTE:
- SEE DWG 18447 FOR FASTENERS AND DWG 18448 FOR LABEL PLACEMENT
 - LOAD PROGRAM 18504 INTO PLC ONCE WIRING IS COMPLETED THEN ADD LABEL 18579
 - INSTALL GROMMET 9033-0037 INTO HOLE AT BOTTOM OF AIR INTAKE EXTENSION TO PROTECT AMBIENT TEMPERATURE SENSOR CABLE
 - USE GROMMET 9033-0037 TO PROTECT CABLE AS IT PASSES THRU THE AIR INTAKE SCREEN
 - TEST ACCORDING TO TEST SHEET 18603

SCALE 0.060

18008-01
HIGH INTAKE W/EMS

REV	DESCRIPTION	DATE	CHKD
H	18603 WAS 16366, 18606-07 ADDED, DWG REARRANGED SHEET #51&6 REMOVED, ECN 2112	15 MAY 06	AVG
G	SEE SHEET #5 FOR CHANGES, ECN 2054	7 NOV 05	AVG
F	GROMMET 9033-0037 AND NOTE 3&4 ADDED ECN 1855	6 AUG 04	AVG
E	NOTE ADDED, 17494 WAS 17499 9045-0124 WAS 9009-0017, ECN 1802	3 MAY 04	AVG
LTR	DESCRIPTION	DATE	CHKD

MATERIAL
SEE INDIVIDUAL PARTS DRAWING

SCALE
AS SHOWN

UNLESS OTHERWISE SPECIFIED
DIMENSIONS ARE IN INCHES

XX ± 0.03
XXX ± 0.01

ANGLES ± 0.5°
OTHER -----

HOVEY INDUSTRIES 2005 INC

DWN MEP DATE DWN 19 MAR 02

CHKD DATE

DWG SIZE
AI