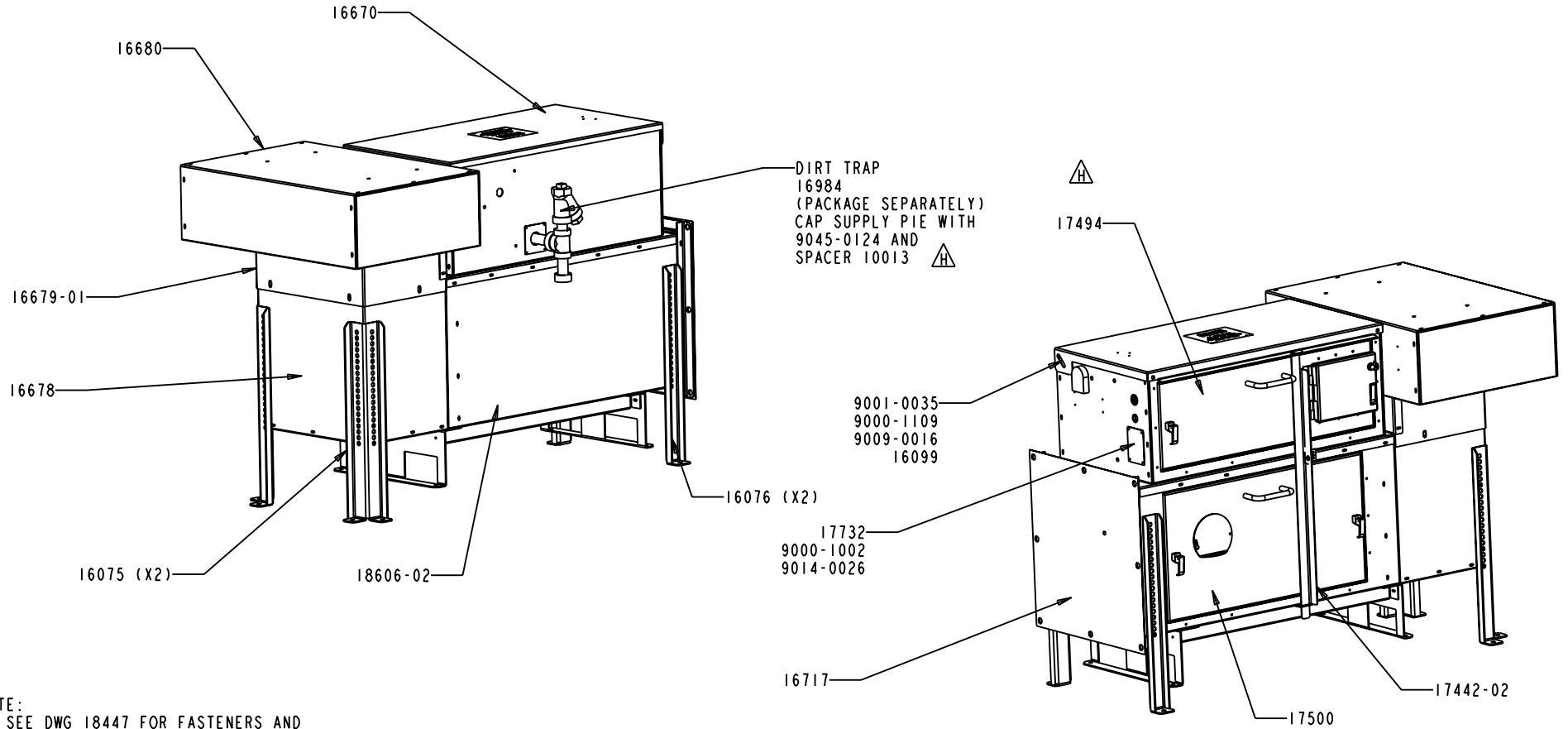


PACKAGED LOOSE	
12241	INSL KIT
13341-03	THERMO INSL KIT
16738	GSKT KIT
16740	DOC PKG

TITLE	HF 400, 240V CN W/BOLT-ON LEGS	DRAWING NUMBER	18005	REV.	K
				SHT.	4/4

QA CHECK LIST
18603
⚠



- NOTE:
- SEE DWG 18447 FOR FASTENERS AND DWG 18448 FOR LABEL PLACEMENT
 - LOAD PROGRAM 18504 INTO PLC ONCE WIRING IS COMPLETED THEN ADD LABEL 18579
 - INSTALL GROMMET 9033-0037 TO SEAL HOLE AT BOTTOM OF THE AIR INTAKE EXTENSION

18005-04
LOW INTAKE W/O EMS

SCALE 0.060

K	PROGRAM 18504 WAS 17688, LABEL 18579 WAS 17733, 18602-02 WAS 16700-02, ECN 1944	21 MAR 05	AVG
J	HDW REFERENCE MOVED TO DWG 18447 LABELS REFERENCES MOVED TO DWG 18448	24 AUG 05	AVG
J	SEE SHEET #182 FOR CHANGES, ECN 18551	6 AUG 04	AVG
H	NOTE ADDED, 17494 WAS 17499 9045-0124 WAS 9009-0017, ECN 1802	3 MAY 04	AVG
LTR	DESCRIPTION	DATE	CHKD

MATERIAL
SEE INDIVIDUAL PARTS DRAWING

SCALE
AS SHOWN

UNLESS OTHERWISE SPECIFIED
DIMENSIONS ARE IN INCHES

XX ± 0.03
XXX ± 0.01

ANGLES ± 0.5°
OTHER -----

HOVEY INDUSTRIES 2005 INC

DWN MEP DATE DWN 8 FEB 01

CHKD DATE

DWG SIZE
AI