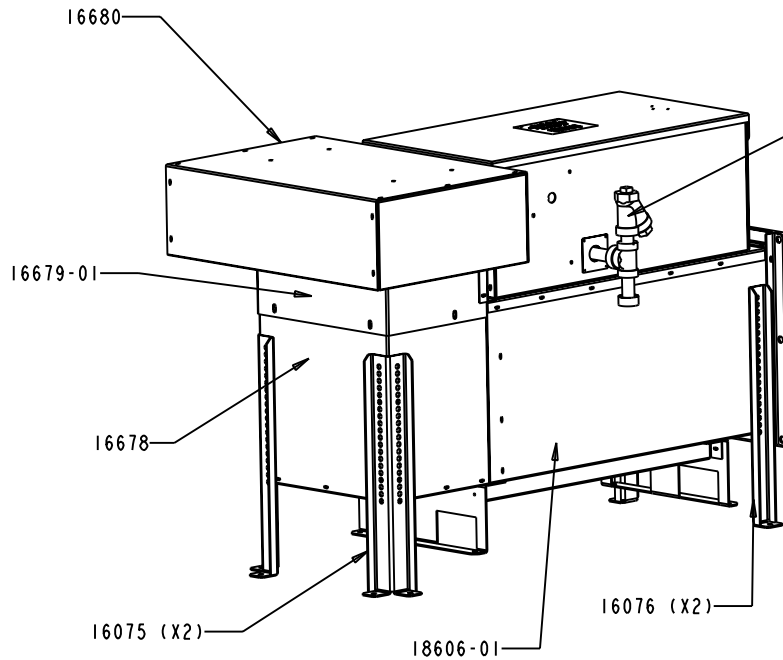
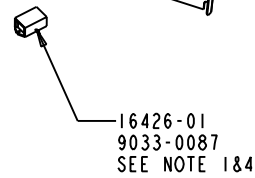
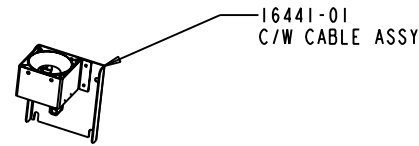
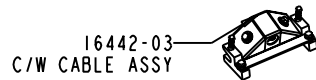


| PACKAGED LOOSE | |
|----------------|------------------|
| 12241 | INSLT KIT |
| 13341-03 | THERMO INSLT KIT |
| 16738 | GSKT KIT |
| 16740 | DOC PKG |

| | | | | | |
|-------|-----------------------------------|----------------|-------|------|-----|
| TITLE | HF 400, 240V CN W/BOLT-ON LEGS | DRAWING NUMBER | 18005 | REV. | K |
| | | | | SHT. | 3/4 |

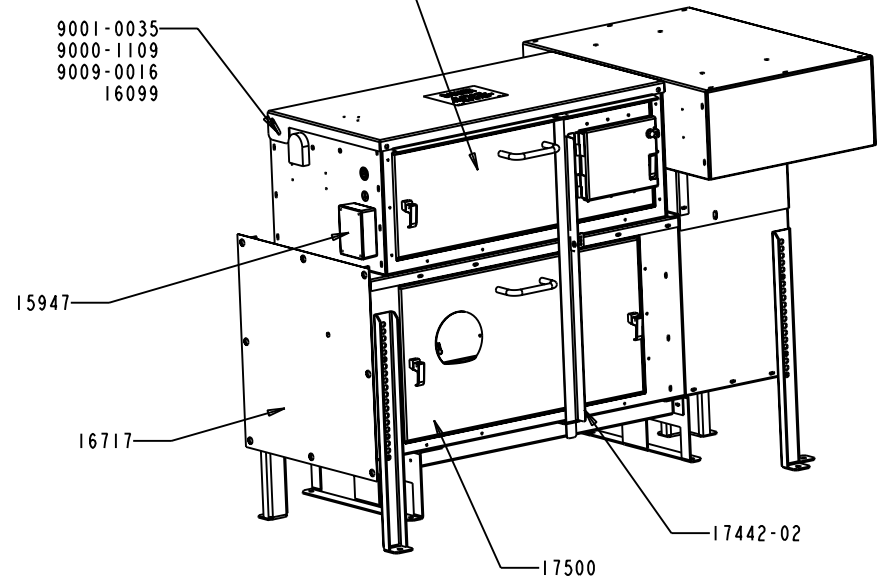
QA CHECK LIST
18603



DIRT TRAP
16984
(PACKAGE SEPARATELY)
CAP SUPPLY PIPE WITH
9045-0124 AND
SPACER 10013



9001-0035
9000-1109
9009-0016
16099



NOTE:

- SEE DWG 18447 FOR FASTENERS AND DWG 18448 FOR LABEL PLACEMENT
- LOAD PROGRAM 18504 INTO PLC ONCE WIRING IS COMPLETED THEN ADD LABEL 18579
- INSTALL GROMMET 9033-0037 INTO HOLE AT BOTTOM OF AIR INTAKE EXTENSION TO PROTECT AMBIENT TEMPERATURE SENSOR CABLE
- USE GROMMET 9033-0037 TO PROTECT CABLE AS IT PASSES THRU THE AIR INTAKE SCREEN

SCALE 0.060

18005-03
LOW INTAKE W/EMS

| | | | |
|-----|---------------------------------------------------------------------------------|-----------|------|
| K | PROGRAM 18504 WAS 17688, LABEL 18579 WAS 17733, 18602-01 WAS 16700-01, ECN 1944 | 21 MAR 05 | AVG |
| J | HDW REFERENCE MOVED TO DWG 18447 LABELS REFERENCES MOVED TO DWG 18448 | 24 AUG 05 | AVG |
| J | SEE SHEET 1&2 FOR CHANGES, ECN 18551 | 6 AUG 04 | AVG |
| H | NOTE ADDED, 17494 WAS 17499 9045-0124 WAS 9009-0017, ECN 1802 | 3 MAY 04 | AVG |
| LTR | DESCRIPTION | DATE | CHKD |

| | |
|------------------------------|----------|
| MATERIAL | SCALE |
| SEE INDIVIDUAL PARTS DRAWING | AS SHOWN |

| | | |
|-----------------------------------------------------|-------------------------|------------------------------|
| UNLESS OTHERWISE SPECIFIED DIMENSIONS ARE IN INCHES | XX ± 0.03 XXX ± 0.01 | ANGLES ± 0.5° OTHER ----- |
|-----------------------------------------------------|-------------------------|------------------------------|

| | | | | |
|---------------------------|----------|------|------|----------|
| HOVEY INDUSTRIES 2005 INC | | | | DWG SIZE |
| DWN | DATE DWN | CHKD | DATE | AI |
| MEP | 8 FEB 01 | | | |