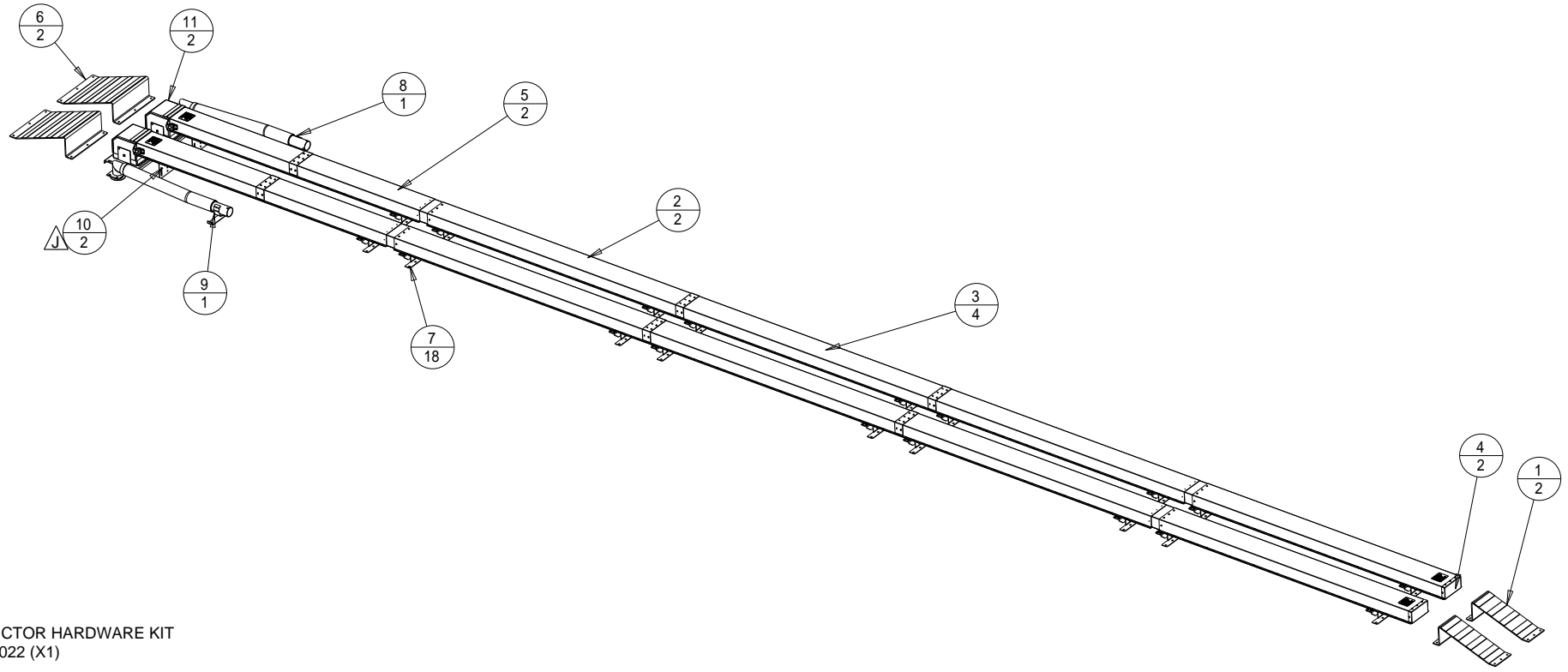


INDEX	PART#	DESCRIPTION	QTY
1	11220-02	DFTR, 8"W FOR WOOD TIE W/ANTI SLIP	2
2	11233-04	DUCT, TRACK 8*4*96" INT/PLAIN	2
3	11233-05	DUCT, TRACK 8*4*96" EXT/PLAIN	4
4	11233-06	DUCT, TRACK 8*4*96" INT/CAP	2
5	11236	DUCT, TRACK 8*4*96" FLGD	2
6	14295-02	DFTR, 18"W FOR WOOD TIE W/ANTI SLIP	2
7	15157	BRKT, TD 2.19"H ADJ 8"TD SH	18
8	17173-01_LEFT	NOZ ASSY, SH POINT END, RAIL MTG TDUCT	1
9	17173-01_RIGHT	NOZ ASSY, SH POINT END, RAIL MTG TDUCT	1
10	17739	TRACK DUCT SUPPORT, GAUGE PLATE	2
11	17899-01	ELBOW, TD 8*4" QDISC FLTG TIE	2

TITLE TRACKDUCT SYS, 8"X4"X40'LG TIEDUCT	DRAWING NUMBER	REV.
	17849	J SHT. 1/1



DEFLECTOR HARDWARE KIT  
P/N 16022 (X1)

TRACKDUCT BRACKET HARDWARE KIT SCALE 0.020  
P/N 16023-04

MATERIAL	SEE INDIVIDUAL PART DRAWINGS
----------	---------------------------------

SCALE	UNLESS OTHERWISE SPECIFIED DIMENSIONS ARE IN INCHES	XX ± 0.03 XXX ± 0.01	ANGLES ± 0.5 ° OTHER _____
AS SHOWN			

HOVEY INDUSTRIES 2005 INC			
DWN	DATE DWN	CHKD	DATE
CCB	16 MAR 10		

DWG SIZE	J	PICTORIALLY UPDATED TO SHOW RE-MODELED 11236. NON-ECN	10NOV2010	GTM
A1	J	REDRAWN IN PROE. 17739 WAS 15152. 18 WAS 16. ECN 2405.	27OCT2010	GCH
	REV	DESCRIPTION	DATE	CHKD