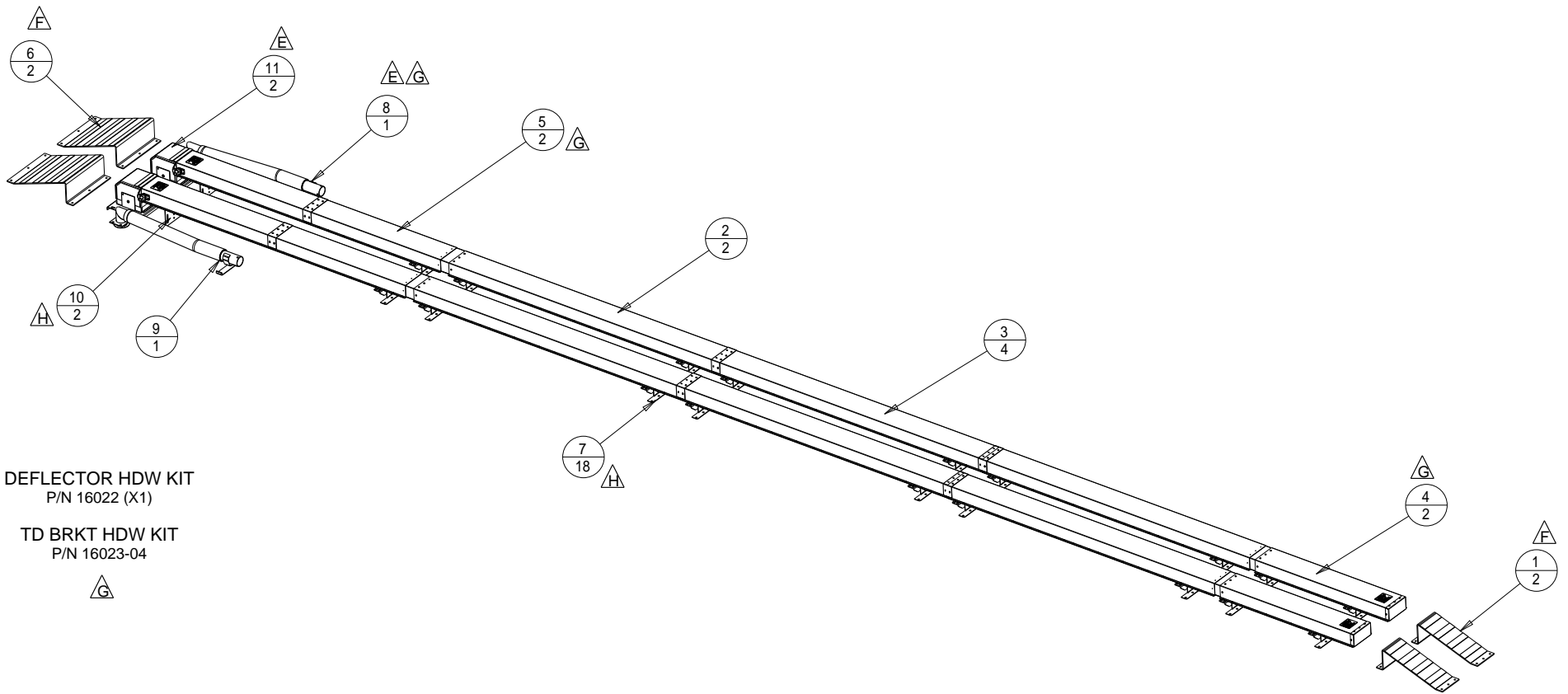


INDEX	PART#	DESCRIPTION	QTY
1	11220-02	DFTR, 8"W FOR WOOD TIE W/ANTI SLIP	2
2	11233-04	DUCT, TRACK 8*4*96" INT/PLAIN	2
3	11233-05	DUCT, TRACK 8*4*96" EXT/PLAIN	4
4	11233-08	DUCT, TRACK 8*4*48" INT/CAP	2
5	11236	DUCT, TRACK 8*4*96" FLGD	2
6	14295-02	DFTR, 18"W FOR WOOD TIE W/ANTI SLIP	2
7	15157	BRKT, TD 2.19"H ADJ 8"TD SH	18
8	17173-01_LE	NOZ ASSY, SH POINT END, RAIL MTG TDUCT	1
9	17173-01_RI	NOZ ASSY, SH POINT END, RAIL MTG TDUCT	1
10	17739	TRACK DUCT SUPPORT, GAUGE PLATE	2
11	17899-01	ELBOW, TD 8*4" QDISC FLTG TIE	2

TITLE TRACKDUCT SYS, SH TIE>8*4**36' W/TIE	DRAWING NUMBER	REV.
	17848	H SHT. 1/1



DEFLECTOR HDW KIT
P/N 16022 (X1)

TD BRKT HDW KIT
P/N 16023-04

WOOD-TIE CONFIGURATION

MATERIAL	SEE INDIVIDUAL PART DRAWINGS
----------	---------------------------------

SCALE	UNLESS OTHERWISE SPECIFIED DIMENSIONS ARE IN INCHES	XX ± 0.03 XXX ± 0.01	ANGLES ± 0.5 ° OTHER _____
AS SHOWN			

HOVEY INDUSTRIES 2005 INC			
DWN GTM	DATE DWN 25NOV2010	CHKD	DATE

H	RE-DRAWN IN PRO-E, 17739 X2 WAS 15152 X4 15157 X18 WAS X16, ECN 2405	25NOV2010	GTM
G	11236 WAS 11232, QTY CHANGE, 96" WAS 48". ECN 1693	27FEB2003	TMH
F	ANTI SLIP VARIAN DEFLECTORS -02 WAS -01, ECN 1437	15JAN2002	CCB
REV	DESCRIPTION	DATE	CHKD

DWG
SIZE
A1