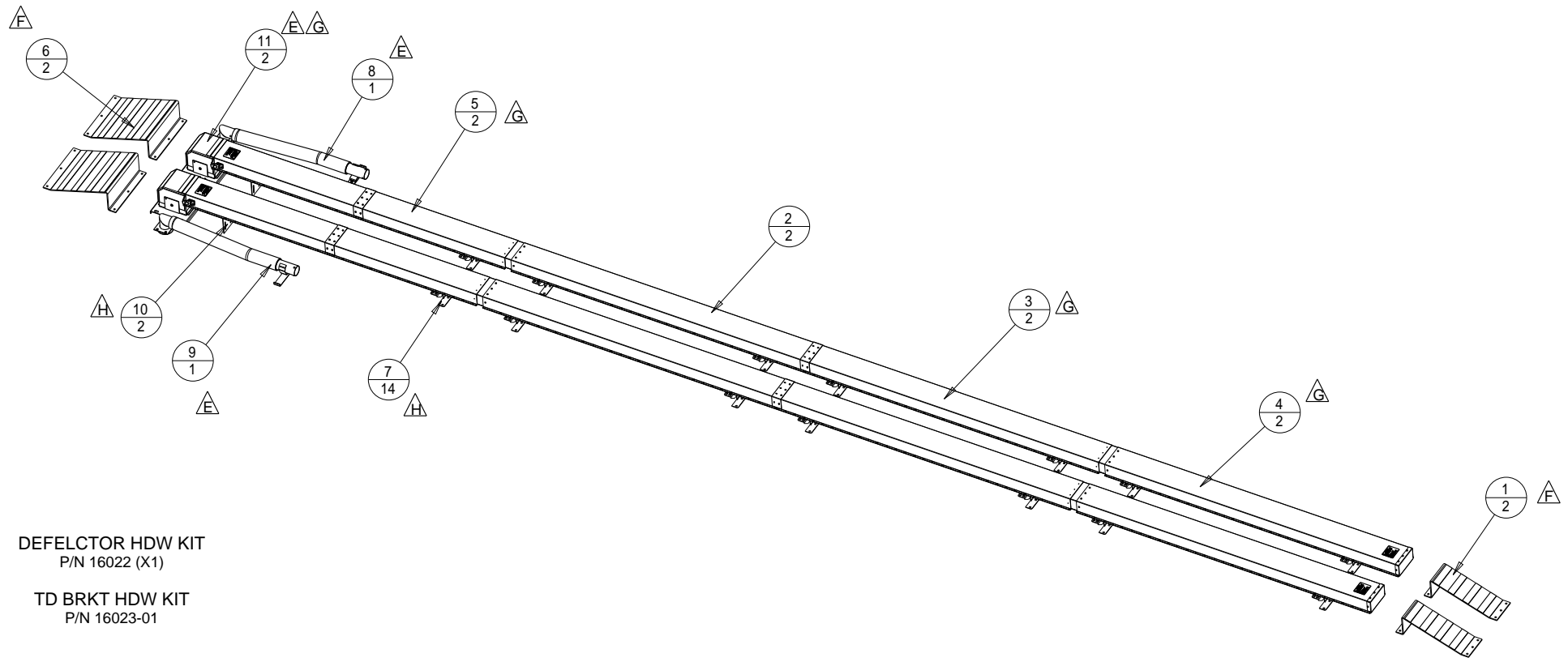


INDEX	PART#	DESCRIPTION	QTY
1	11220-02	DFTR, 8"W FOR WOOD TIE W/ANTI SLIP	2
2	11233-04	DUCT, TRACK 8*4*96" INT/PLAIN	2
3	11233-05	DUCT, TRACK 8*4*96" EXT/PLAIN	2
4	11233-06	DUCT, TRACK 8*4*96" INT/CAP	2
5	11236	DUCT, TRACK 8*4*96" FLGD	2
6	14295-02	DFTR, 18"W FOR WOOD TIE W/ANTI SLIP	2
7	15157	BRKT, TD 2.19"H ADJ 8"TD SH	14
8	17173-01_LEFT	NOZ ASSY, SH POINT END, RAIL MTG TDUCT	1
9	17173-01_RIGHT	NOZ ASSY, SH POINT END, RAIL MTG TDUCT	1
10	17739	TRACK DUCT SUPPORT, GAUGE PLATE	2
11	17899-01	ELBOW, TD 8*4" QDISC FLTG TIE	2

TITLE TRACKDUCT SYS, SH TIE>8*4**32' W/TIE	DRAWING NUMBER	REV.
	17847	H SHT. 1/1



DEFLECTOR HDW KIT
P/N 16022 (X1)

TD BRKT HDW KIT
P/N 16023-01

WOOD-TIE CONFIGURATION

MATERIAL SEE INDIVIDUAL PART DRAWINGS

SCALE AS SHOWN

UNLESS OTHERWISE SPECIFIED
DIMENSIONS ARE IN INCHES

XX ± 0.03
XXX ± 0.01

ANGLES ± 0.5 °
OTHER _____

HOVEY INDUSTRIES 2005 INC

DWN GTM	DATE DWN 25NOV2010	CHKD	DATE
------------	-----------------------	------	------

DWG SIZE	REV	DESCRIPTION	DATE	CHKD
A1	H	RE-DRAWN IN PRO-E, 17739 X2 WAS 15152 X4 15157 X14 WAS X12, ECN 2405	25NOV2010	GTM
	G	11236 WAS 11232, QTY CHANGE, 96" WAS 48", ECN 1693	27FEB2003	TMH
	F	ANTI SLIP VARIAN DEFLECTORS -02 WAS -01, ECN 1437	15JAN2002	CCB