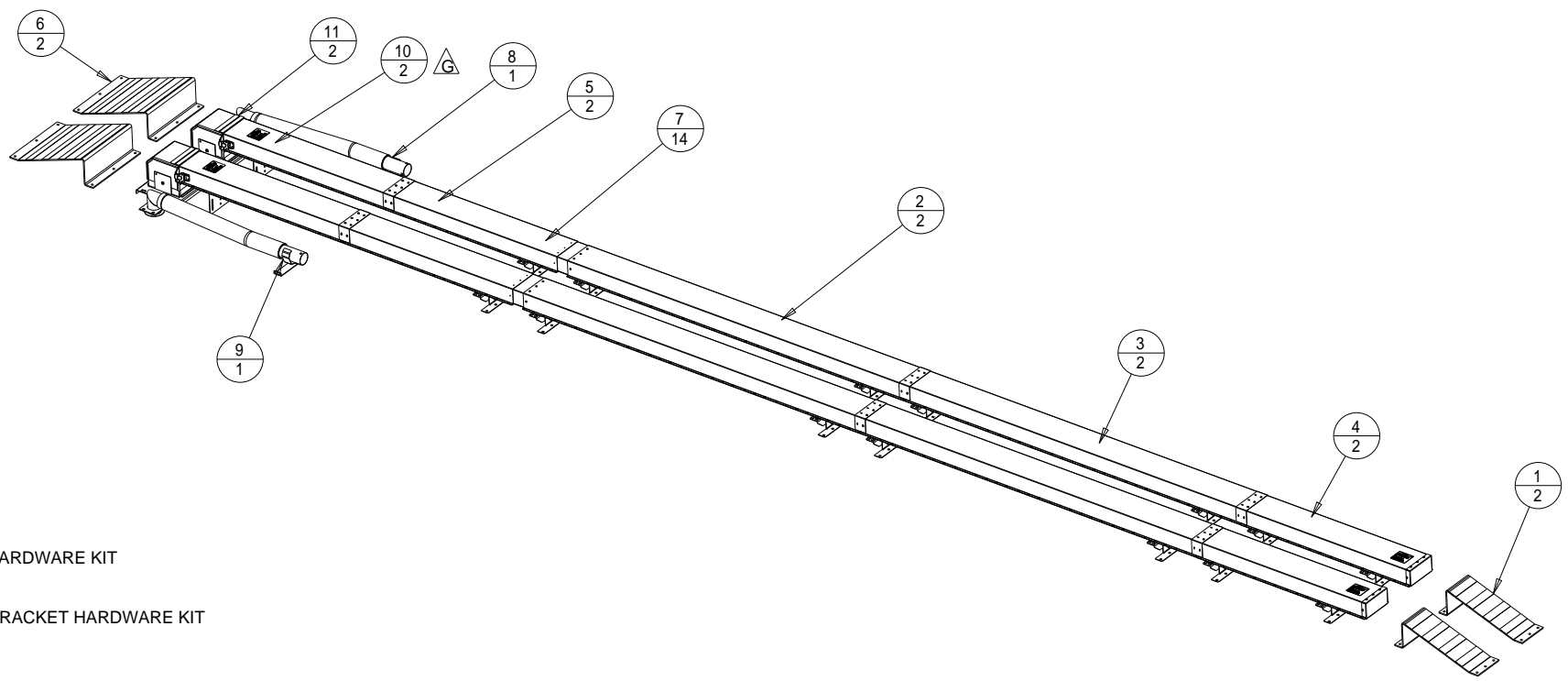


INDEX	PART#	DESCRIPTION	QTY
1	11220-02	DFTR, 8"W FOR WOOD TIE W/ANTI SLIP	2
2	11233-04	DUCT, TRACK 8*4*96" INT/PLAIN	2
3	11233-05	DUCT, TRACK 8*4*96" EXT/PLAIN	2
4	11233-10	DUCT, TRACK 8*4*48" EXT/CAP	2
5	11236	DUCT, TRACK 8*4*96" FLGD	2
6	14295-02	DFTR, 18"W FOR WOOD TIE W/ANTI SLIP	2
7	15157	BRKT, TD 2.19"H ADJ 8"TD SH	14
8	17173-01_LEFT	NOZ ASSY, SH POINT END, RAIL MTG TDUCT	1
9	17173-01_RIGHT	NOZ ASSY, SH POINT END, RAIL MTG TDUCT	1
10	17739	TRACK DUCT SUPPORT, GAUGE PLATE	2
11	17899-01	ELBOW, TD 8*4" QDISC FLTG TIE	2

TITLE TRACKDUCT SYS, 8"x4"x28"LG, TIEDUCT	DRAWING NUMBER	REV.
	17846	H SHT. 1/1



DEFLECTOR HARDWARE KIT
P/N 16022 (X1)

TRACKDUCT BRACKET HARDWARE KIT
P/N 16023-01

SCALE 0.025

MATERIAL SEE INDIVIDUAL PART DRAWINGS

SCALE AS SHOWN

UNLESS OTHERWISE SPECIFIED
DIMENSIONS ARE IN INCHES
XX ± 0.03
XXX ± 0.01

ANGLES ± 0.5 °
OTHER _____

HOVEY INDUSTRIES 2005 INC

DWN	DATE DWN	CHKD	DATE
CCB	16 MAR 10		

DWG SIZE
A1

H	PICTORIALLY UPDATED TO SHOW RE-MODELED 11236. NON ECN	11NOV2010	GTM
H	REDRAWN IN PROE. 17739 WAS 15152. ECN 2405.	27OCT2010	GCH
REV	DESCRIPTION	DATE	CHKD