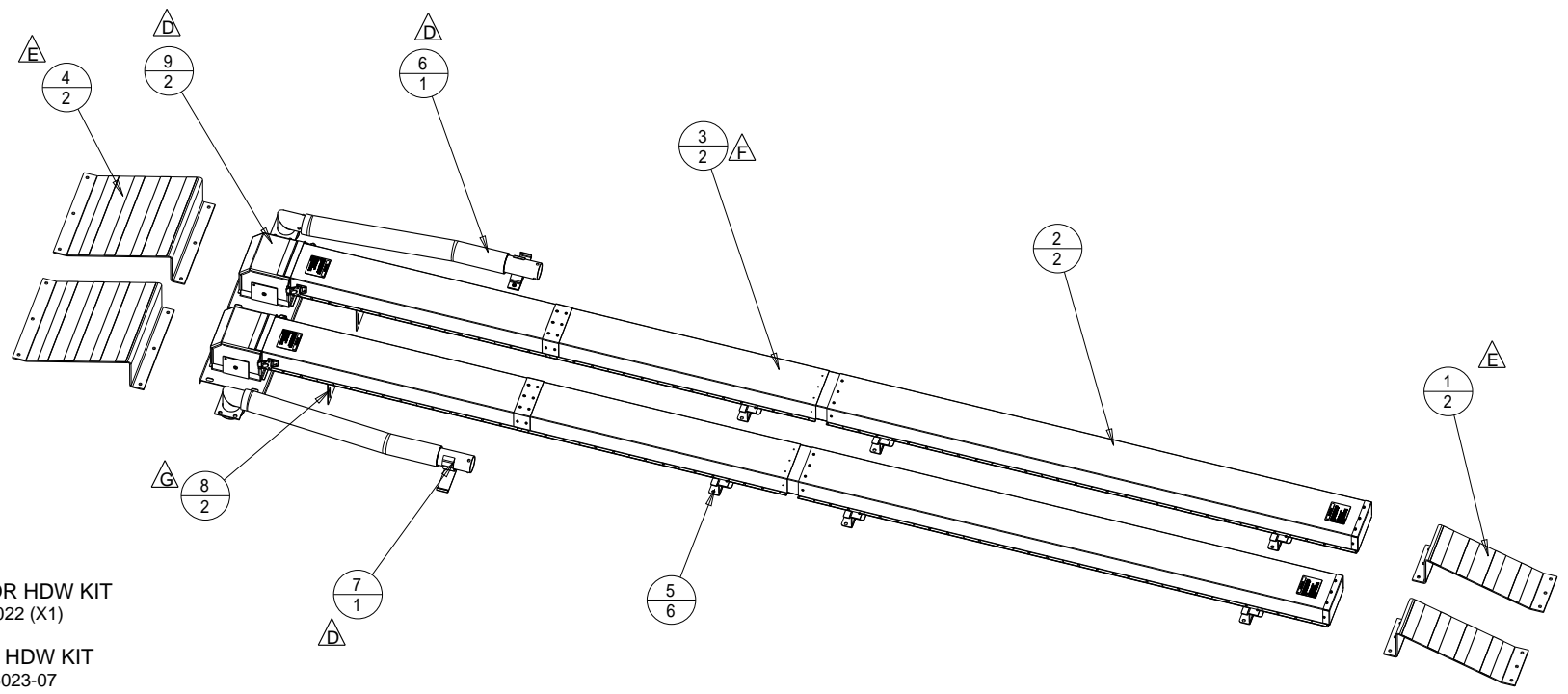


INDEX	PART#	DESCRIPTION	QTY
1	11220-02	DFTR, 8"W FOR WOOD TIE W/ANTI SLIP	2
2	11233-06	DUCT, TRACK 8*4*96" INT/CAP	2
3	11236	DUCT, TRACK 8*4*96" FLGD	2
4	14295-02	DFTR, 18"W FOR WOOD TIE W/ANTI SLIP	2
5	15157	BRKT, TD 2.19"H ADJ 8"TD SH	6
6	17173-01_LE	NOZ ASSY, SH POINT END, RAIL MTG TDUCT	1
7	17173-01_RI	NOZ ASSY, SH POINT END, RAIL MTG TDUCT	1
8	17739	TRACK DUCT SUPPORT, GAUGE PLATE	2
9	17899-01	ELBOW, TD 8*4" QDISC FLTG TIE	2

TITLE	TRACKDUCT SYS, SH TIE>8*4**16' W/TIE	DRAWING NUMBER	17844	REV.	G
				SHT.	1/1



DEFLECTOR HDW KIT  
P/N 16022 (X1)

TD BRKT HDW KIT  
P/N 16023-07

△

# WOOD-TIE CONFIGURATION

MATERIAL SEE INDIVIDUAL PART DRAWINGS

SCALE AS SHOWN

UNLESS OTHERWISE SPECIFIED DIMENSIONS ARE IN INCHES

XX ± 0.03  
XXX ± 0.01

ANGLES ± 0.5 °  
OTHER \_\_\_\_\_

HOVEY INDUSTRIES 2005 INC

DWN	DATE DWN	CHKD	DATE
GTM	25NOV2010		

DWG SIZE	A1		
REV	DESCRIPTION	DATE	CHKD
G	RE-DRAWN IN PRO-E. 17739 X2 WAS 15152 X4, ECN 2405	25NOV2010	GTM
F	11236 WAS 11232, QTY CHANGE 16023-07 WAS -01. ECN 1693	27FEB2003	TMH
E	ANTI SLIP VARIANT DEFLECTORES -02 WERE -01. ECN 1437	15JAN2002	CCB