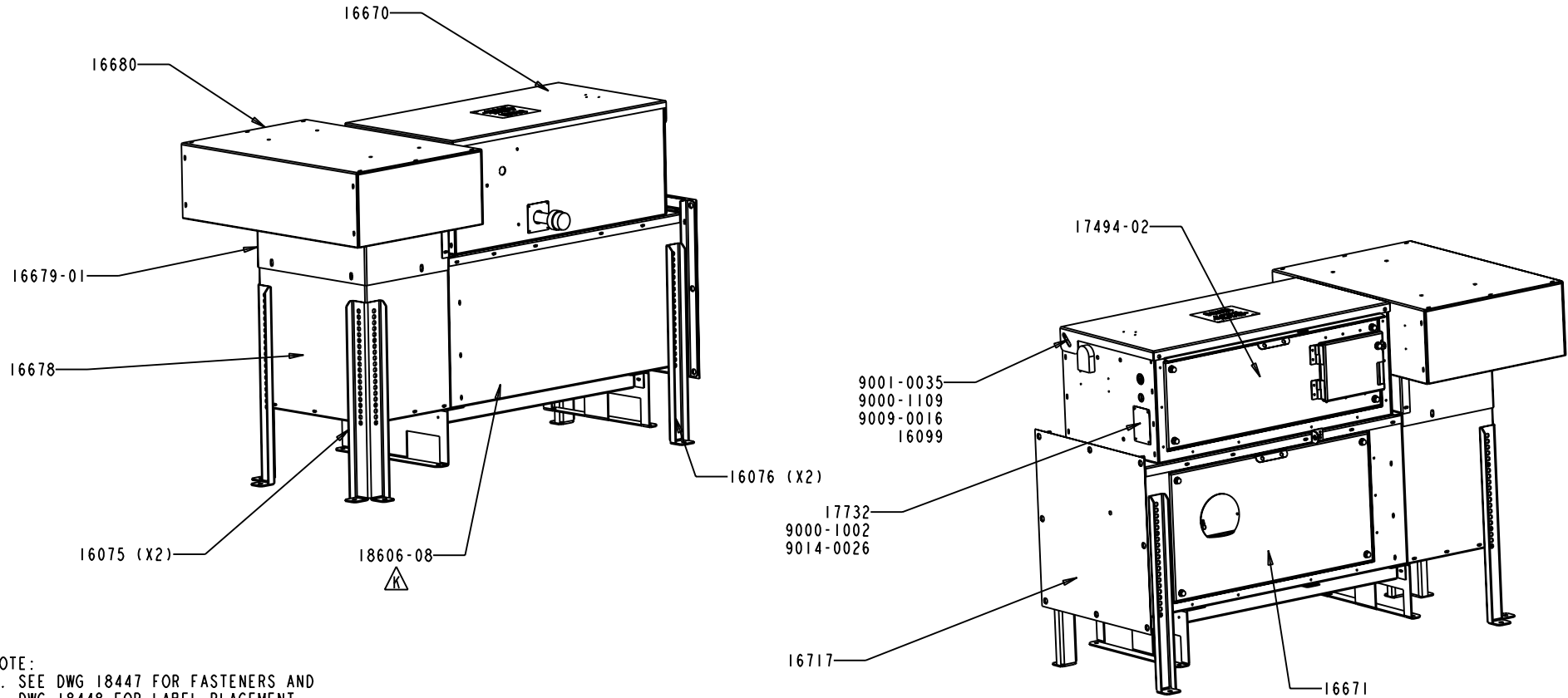


PACKAGED LOOSE	
12241	INSL KIT
13341-03	THERMO INSL KIT
16738	GSKT KIT
16740	DOC PKG

TITLE	HF 400, 575V BASE W/BOLT-ON LEGS	DRAWING NUMBER	17803	REV.	K
				SHT.	4/4



- NOTE:
1. SEE DWG 18447 FOR FASTENERS AND DWG 18448 FOR LABEL PLACEMENT
 2. LOAD PROGRAM 18504 INTO PLC ONCE WIRING IS COMPLETED THEN ADD LABEL 18579
 3. INSTALL GROMMET 9033-0037 TO SEAL HOLE AT BOTTOM OF THE AIR INTAKE EXTENSION
 4. TEST ACCORDING TO TEST SHEET 18603

SCALE 0.060

17803-04
LOW INTAKE W/O EMS

K	PROGRAM 18504 WAS 17688, LABEL 18579 WAS 17733, DWG CHANGED FORMAT 18606-08 ADDED, ECN 2112	15 MAY 06	AVG
J	SEE SHEET #3 FOR CHANGES, ECN 2054	7 NOV 05	AVG
H	GROMMET 9033-0037 AND NOTE 3 ADDED ECN 1855	6 AUG 05	AVG
G	SEE SHEET #1&2 FOR CHANGES, ECN 1754	25 AUG 03	AVG
LTR	DESCRIPTION	DATE	CHKD

MATERIAL
SEE INDIVIDUAL PARTS DRAWING

SCALE
AS SHOWN

UNLESS OTHERWISE SPECIFIED
DIMENSIONS ARE IN INCHES

XX ± 0.03
XXX ± 0.01

ANGLES ± 0.5°
OTHER -----

HOVEY INDUSTRIES 2005 INC

DWG
SIZE
AI

DWN	MEP	DATE DWN	13 NOV 00	CHKD	DATE
-----	-----	----------	-----------	------	------