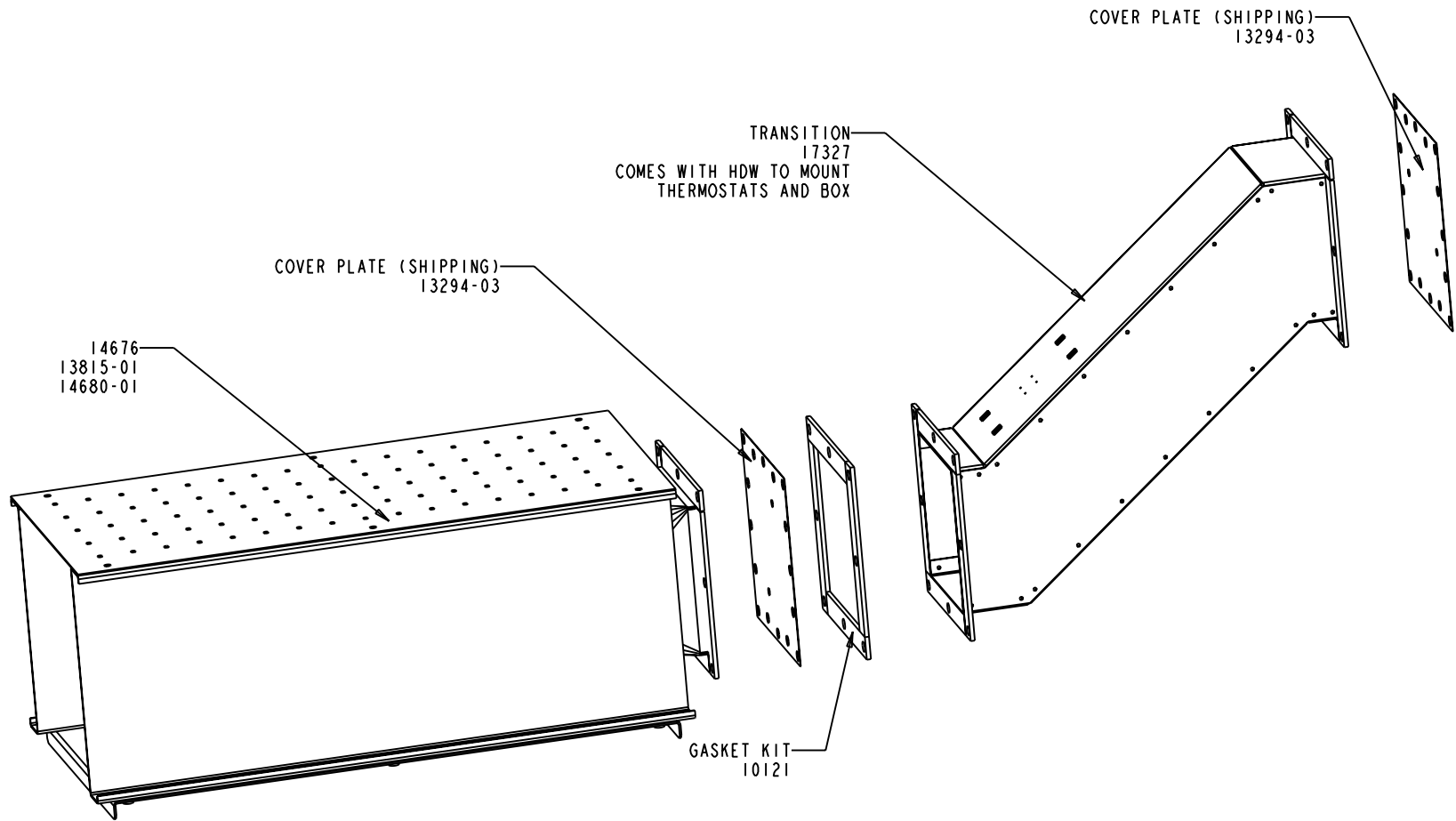


TITLE DUCT ASSY, TRNSN 9X9	DRAWING NUMBER	REV.
	17368	1
		SHT.
		1/1



SCALE 0.100

MATERIAL SEE INDIVIDUAL PART DRAWING	SCALE AS SHOWN	UNLESS OTHERWISE SPECIFIED DIMENSIONS ARE IN INCHES	xx ± 0.03	ANGLES ± 0.5°	HOVEY INDUSTRIES (2005) INC.	DWG SIZE	1	PROTOTYPE RELEASE, ECN 1788		
			xxx ± 0.01	OTHER -----		A1				
					DWN					
					AVG	DATE DWN	23 JAN 04	CHKD	DATE	CHKD
								LTR	DESCRIPTION	DATE