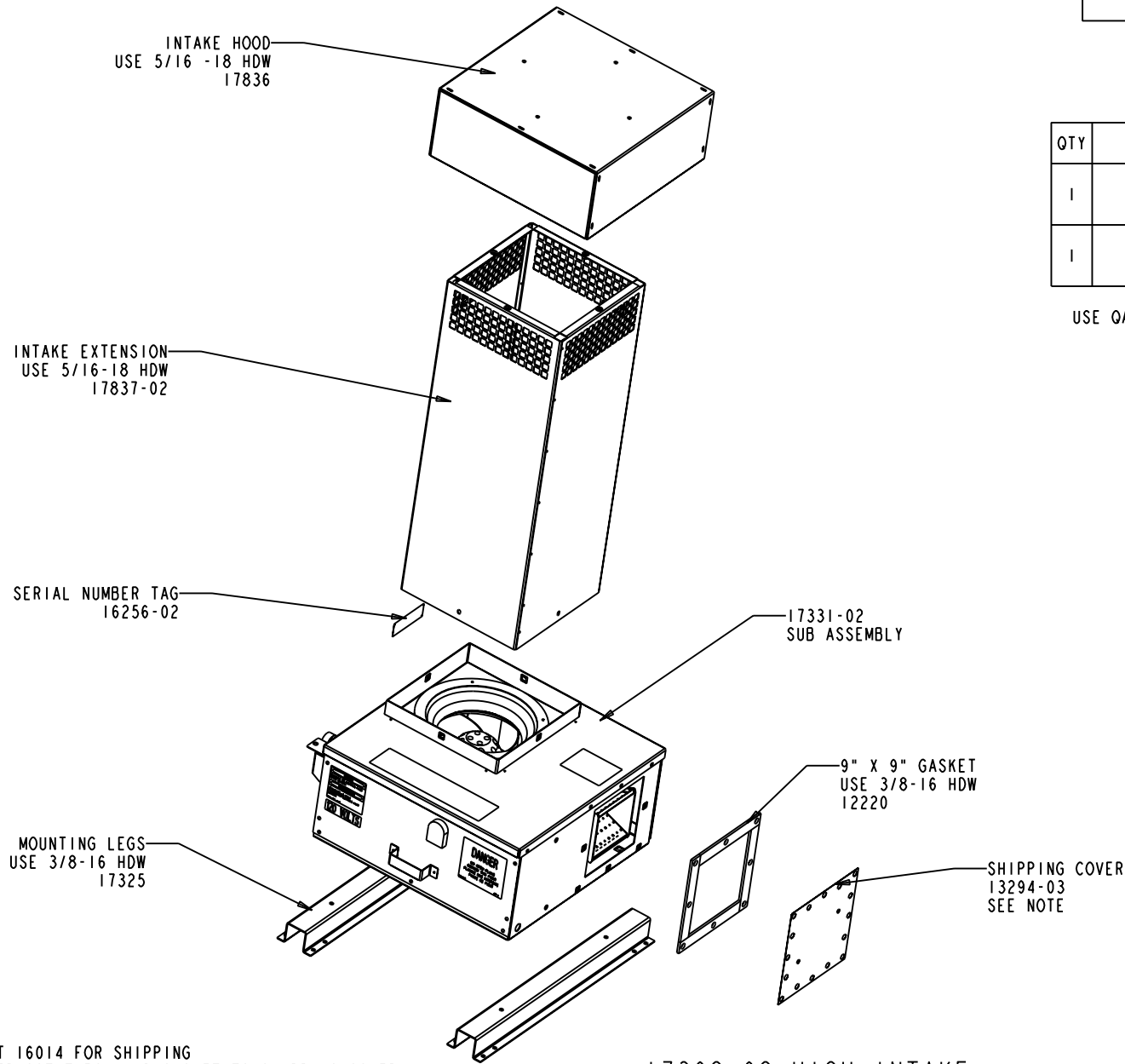


TITLE	INFERNO 350 BASIC 	DRAWING NUMBER	REV.
		17362	3
			SHT. 2/2



QTY	P/N	DESCRIPTION
1	12241	KIT INSTALLATION HDW
1	XXXXX	DOC PKG

USE QA CHECK LIST 17729

NOTE:
USE PALLET 16014 FOR SHIPPING
ATTACH THERMOSTAT BOX AND GASKET TO SHIPPING COVER

17362-02 HIGH INTAKE

SCALE 0.060

MATERIAL SEE INDIVIDUAL PARTS DRAWING	SCALE AS SHOWN	UNLESS OTHERWISE SPECIFIED DIMENSIONS ARE IN INCHES	XX ± 0.03	ANGLES ± 0.5°	HOVEY INDUSTRIES LIMITED			DWG SIZE	3	INFERNO 350 WARDMASTER 300, ECN 1892	4 FEB 05	CCB
			XXX ± 0.01		OTHER -----	DWN	AVG	DATE DWN	CHKD	DATE	2	HIGH INTAKE VARIANT ADDED, ECN 1850
									LTR	DESCRIPTION	DATE	CHKD