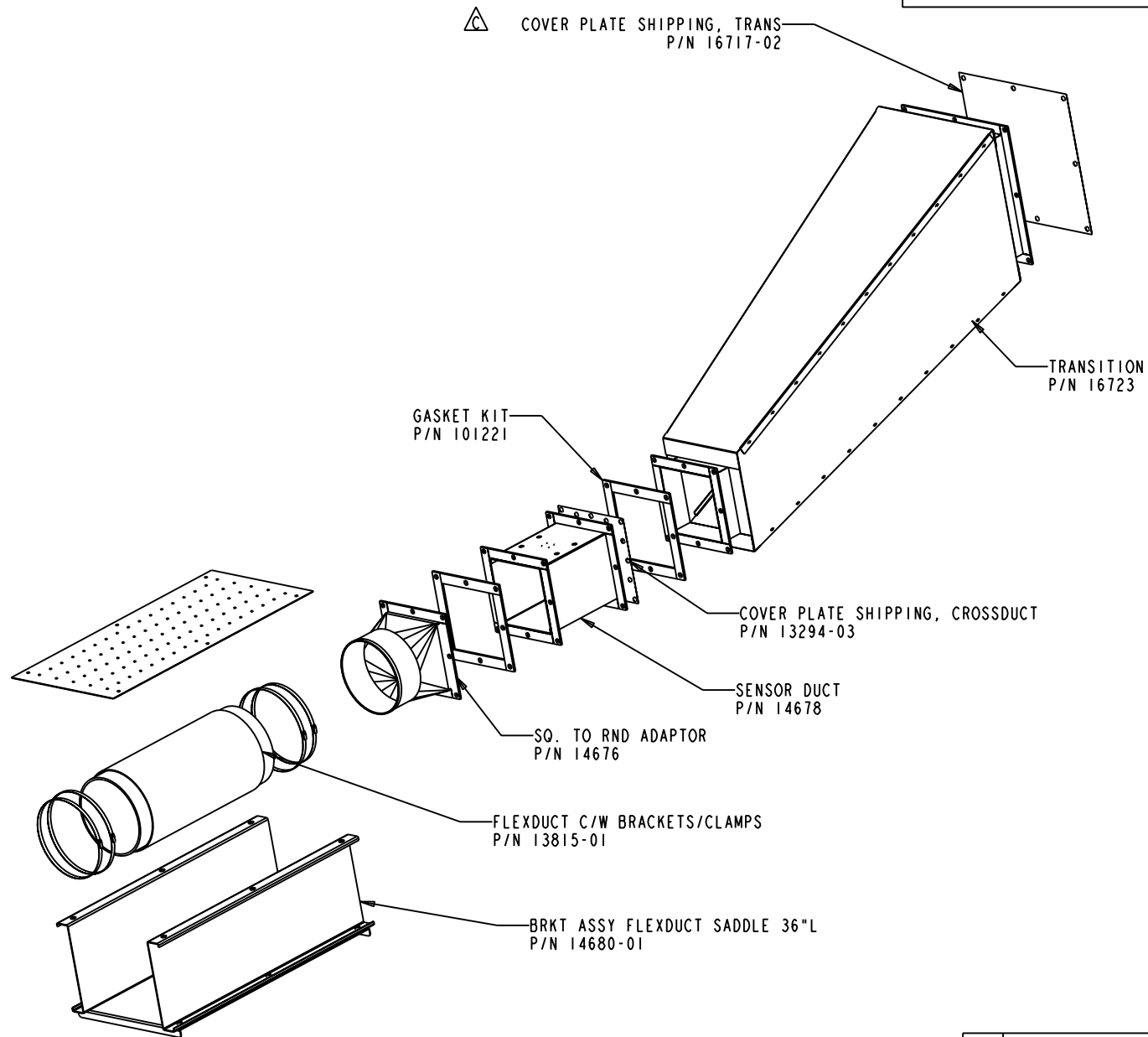


TITLE
 DUCT ASSY, TRANS 16*16>TIE
 HELLFIRE 400,2000, 155" CLR

DRAWING NUMBER	REV.
17033	C
	SHT.
	1/1



SCALE 0.050

MATERIAL
 SEE INDIVIDUAL PART DRAWINGS

SCALE
 AS SHOWN

UNLESS OTHERWISE SPECIFIED
 DIMENSIONS ARE IN INCHES

xx ± 0.03
 xxx ± 0.01

ANGLES ± 0.5°
 OTHER -----

HOVEY INDUSTRIES LIMITED

DWN	DATE DWN	CHKD	DATE
CDP	00/04/03		

DWG
 SIZE
AI

C	2 ND SET OF GEAR CLAMPS SHOWN SHIP COVER 16717-02 WAS 16717, ECN 1513	26 MAR 02	CCB
B	PICTORIALLY UPDATE TO REMOVE ONE SET OF BRIDGE CLAMPS, PER ECN 1309	10 JUL 01	CCB
A	PRODUCTION RELEASE	00/04/03	CDP
LTR	DESCRIPTION	DATE	CHKD