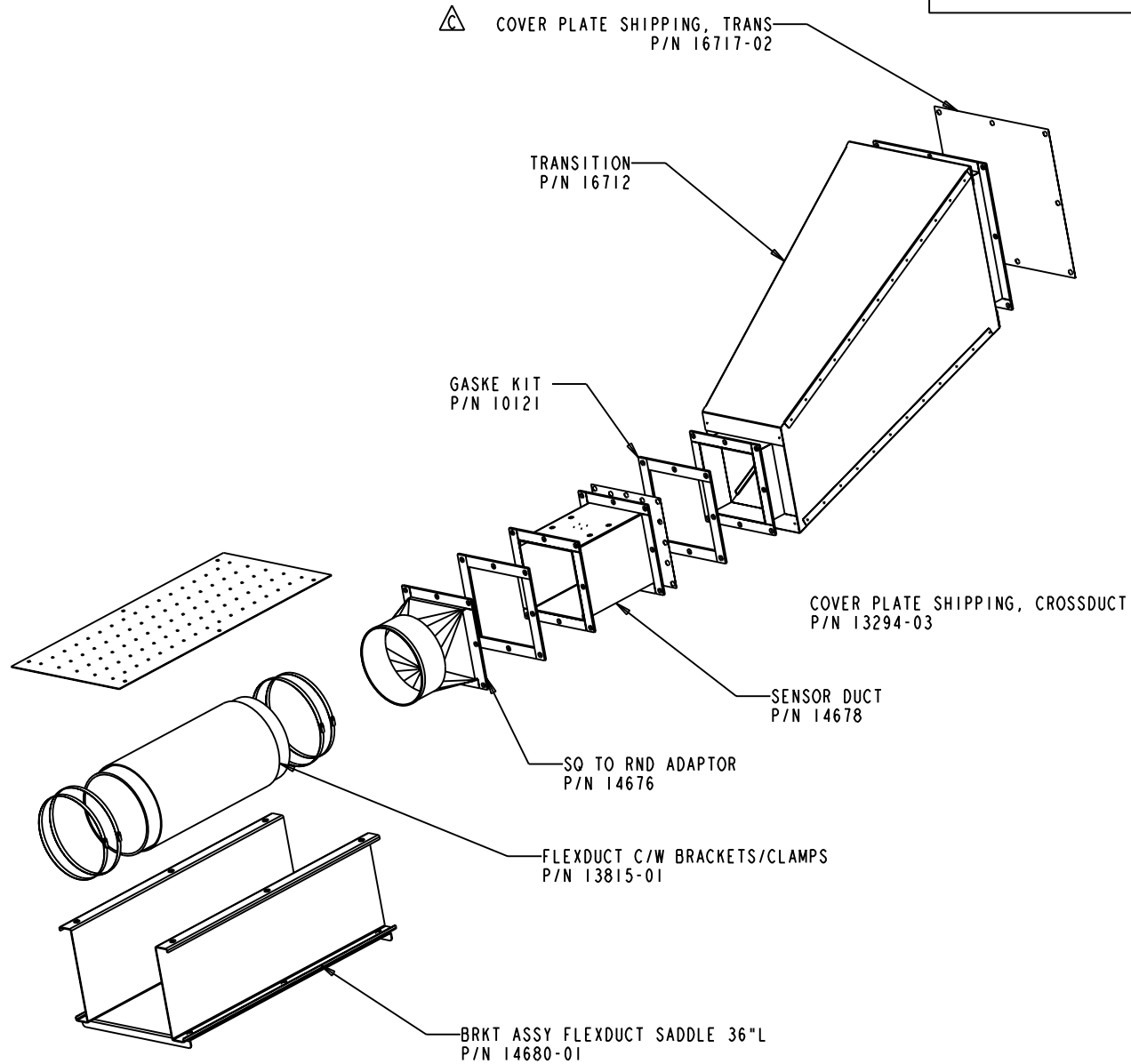


TITLE
 DUCT ASSY, TRANS 16*16 > TIE
 HELLFIRE 400,2000, 140" CLR

DRAWING NUMBER	REV.
17032	C
	SHT.
	1/1



SCALE 0.050

MATERIAL
 SEE INDIVIDUAL PART DRAWINGS

SCALE
 AS SHOWN

UNLESS OTHERWISE SPECIFIED
 DIMENSIONS ARE IN INCHES
 XX ± 0.03
 XXX ± 0.01
 ANGLES ± 0.5°
 OTHER

HOVEY INDUSTRIES LIMITED

DWN	DATE DWN	CHKD	DATE
CDP	00/04/03		

DWG
 SIZE
A1

C	2ND SET OF GEAR CLAMPS SHOWN SHIP COVER 16717-02 WAS 16717. ECN 1513	26 MAR 02	CCB
B	PICTORIALLY UPDATED TO REMOVE ONE SET OF BRIDGE CLAMPS, PER ECN 1309	10 JUL 01	CCB
A	PRODUCTION RELEASE	00/04/03	CDP
LTR	DESCRIPTION	DATE	CHKD