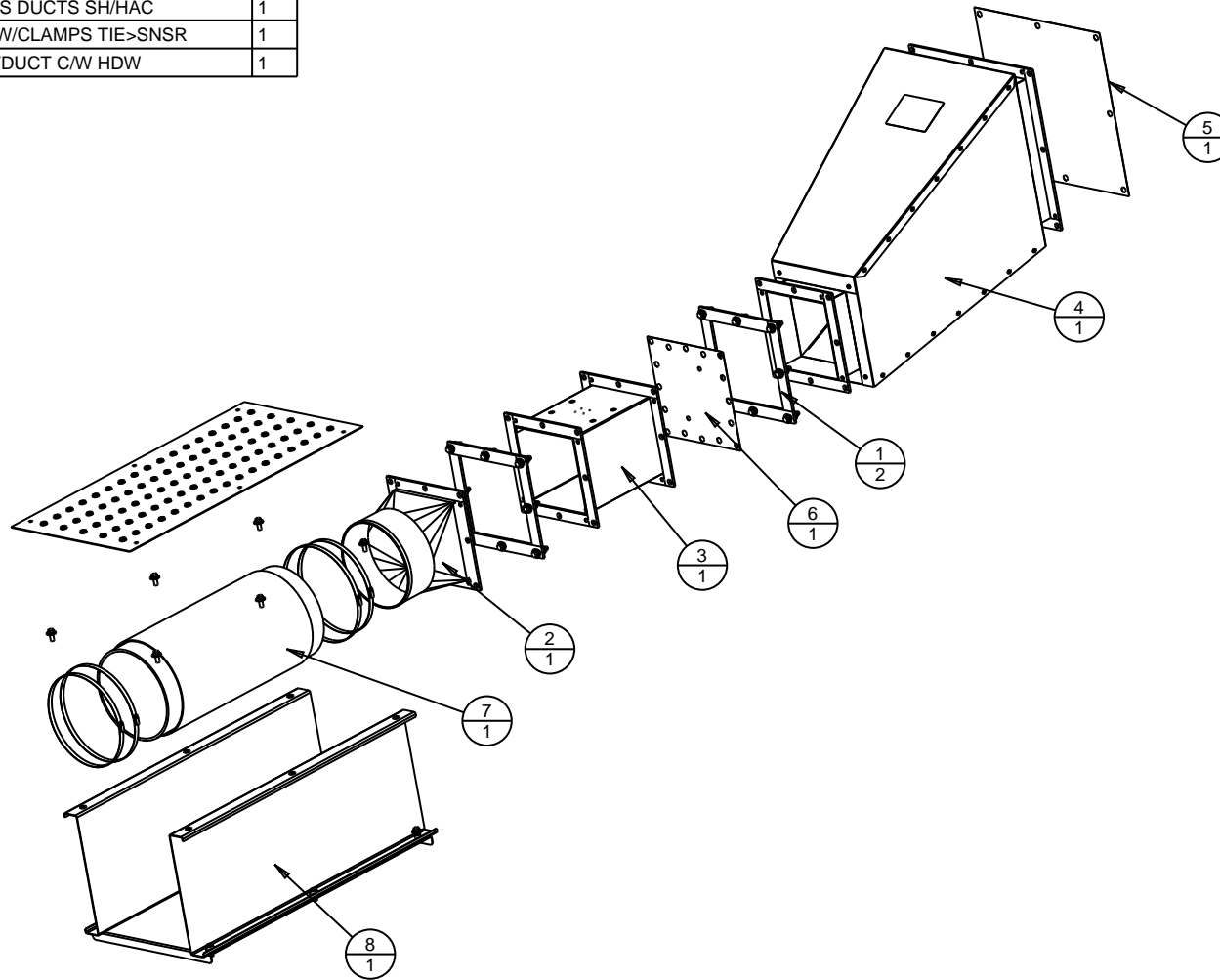


INDEX	PART#	DESCRIPTION	QTY
1	10121	KIT, GSKT, SH 9*9" C/W HDW	2
2	14676	ADPTR, SQ>RD, TIE W/FLANGE 10" FLEX SH	1
3	14678	DUCT, SNSR BOX MTG, 9*9*12" FLGD HD/GALV	1
4	16715	DUCT, 14GA TRNSN 16*16>9*9" 31*7"R INSUL	1
5	16717	COVER, SHPNG, TRNSN HF400 W LABEL	1
6	13294-03	COVER, SHPNG, CROSS DUCTS SH/HAC	1
7	13815-01	FLEXDUCT, SI 10*24"L W/CLAMPS TIE>SNSR	1
8	14680-01	RTNR, BALLAST, 36"L TDUCT C/W HDW	1

TITLE DUCT ASSY, TRANS 16*16 >TIE HELLFIRE 400, 131 CLR	DRAWING NUMBER 17031	REV. D SHT. 1/2
---	-------------------------	--------------------------



17031
14 GA

SCALE 0.050

D	SHEET 2 ADDED, ECN 2380	16SEP2009	RT
C	2ND SET OF GEAR CLAMPS SHOWN SHIP COVER 16717-02 WAS 16717, ECN 1513	26 MAR 02	CCB
B	PICTORIALLY UPDATED TO REMOVE ONE SET OF BRIDGE CLAMPS, PER ECN 1309	10 JUL 01	CCB
A	PRODUCTION RELEASE	00/04/03	CDP
LTR	DESCRIPTION	DATE	CHKD

MATERIAL SEE INDIVIDUAL PART DRAWINGS
--

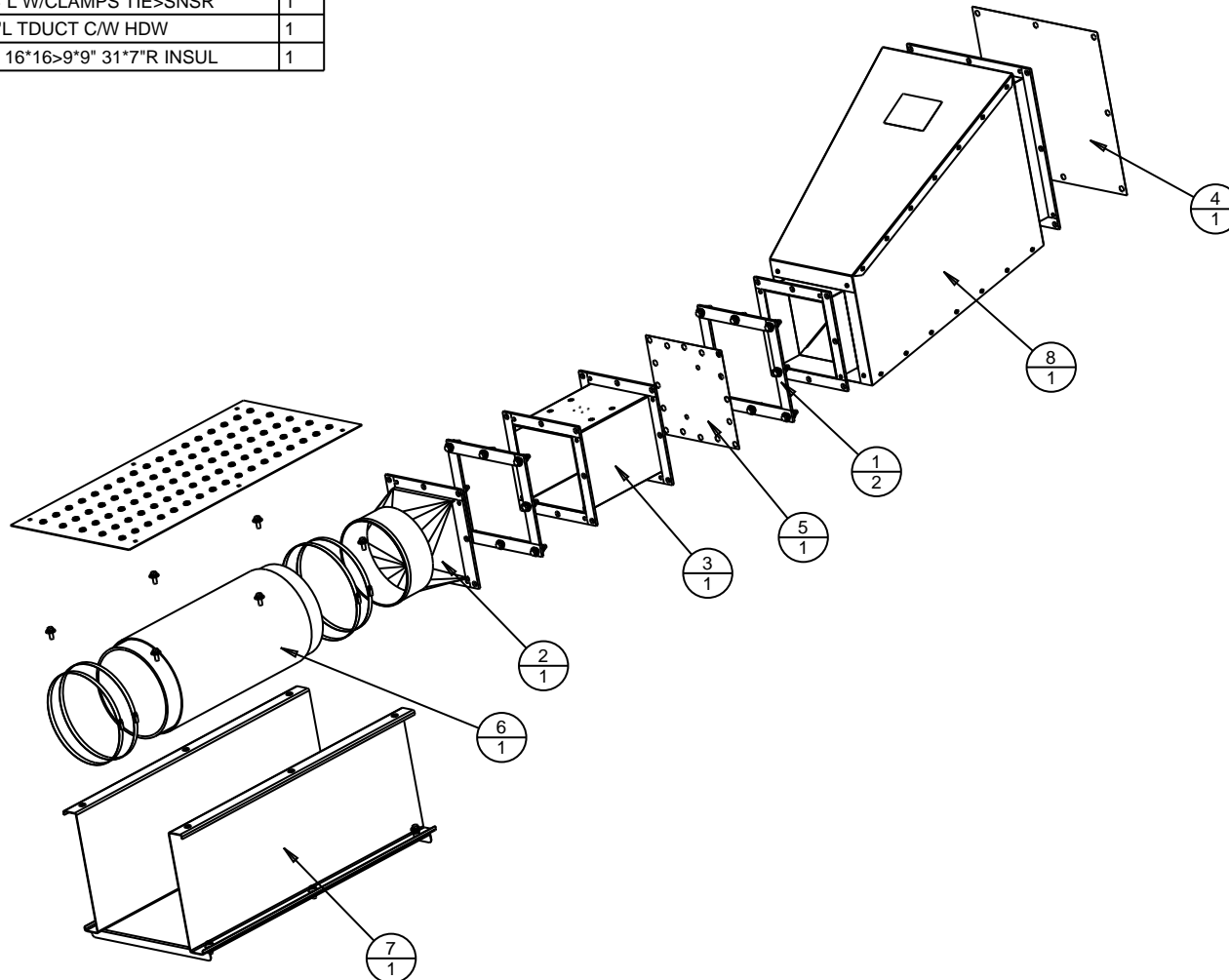
SCALE AS SHOWN	UNLESS OTHERWISE SPECIFIED DIMENSIONS ARE IN INCHES	XX ± 0.03 XXX ± 0.01	ANGLES ± 0.5 ° OTHER _____
-------------------	--	-------------------------	-------------------------------

HOVEY INDUSTRIES (2005) INC.			
DWN CDP	DATE DWN 00/04/03	CHKD	DATE

DWG SIZE A1	LTR	DESCRIPTION	DATE	CHKD
-------------------	-----	-------------	------	------

INDEX	PART#	DESCRIPTION	QTY
1	10121	KIT, GSKT, SH 9*9" C/W HDW	2
2	14676	ADPTR, SQ>RD, TIE W/FLANGE 10" FLEX SH	1
3	14678	DUCT, SNSR BOX MTG, 9*9*12" FLGD HD/GALV	1
4	16717	COVER, SHPNG, TRNSN HF400 W LABEL	1
5	13294-03	COVER, SHPNG, CROSS DUCTS SH/HAC	1
6	13815-01	FLEXDUCT, SI 10*24"L W/CLAMPS TIE>SNSR	1
7	14680-01	RTNR, BALLAST, 36"L TDUCT C/W HDW	1
8	16715-02	DUCT, 11GA TRNSN 16*16>9*9" 31*7"R INSUL	1

TITLE DUCT ASSY, TRANS 16*16 >TIE HELLFIRE 400, 131 CLR		DRAWING NUMBER/REV. 17031 D	
		SHT. 2/2	



17031-02
11 GA

SCALE 0.050

MATERIAL SEE INDIVIDUAL PART DRAWINGS	SCALE AS SHOWN	UNLESS OTHERWISE SPECIFIED DIMENSIONS ARE IN INCHES	XX ± 0.03	ANGLES ± 0.5 °	HOVEY INDUSTRIES (2005) INC.			DWG SIZE	D	VARIANT-02 ADDED, SHEET 2 ADDED, ECN 2380	16SEP2009	RT
			XXX ± 0.01	OTHER _____	DWN RT	DATE DWN 16SEP2009	CHKD	DATE	A1	REV	DESCRIPTION	DATE