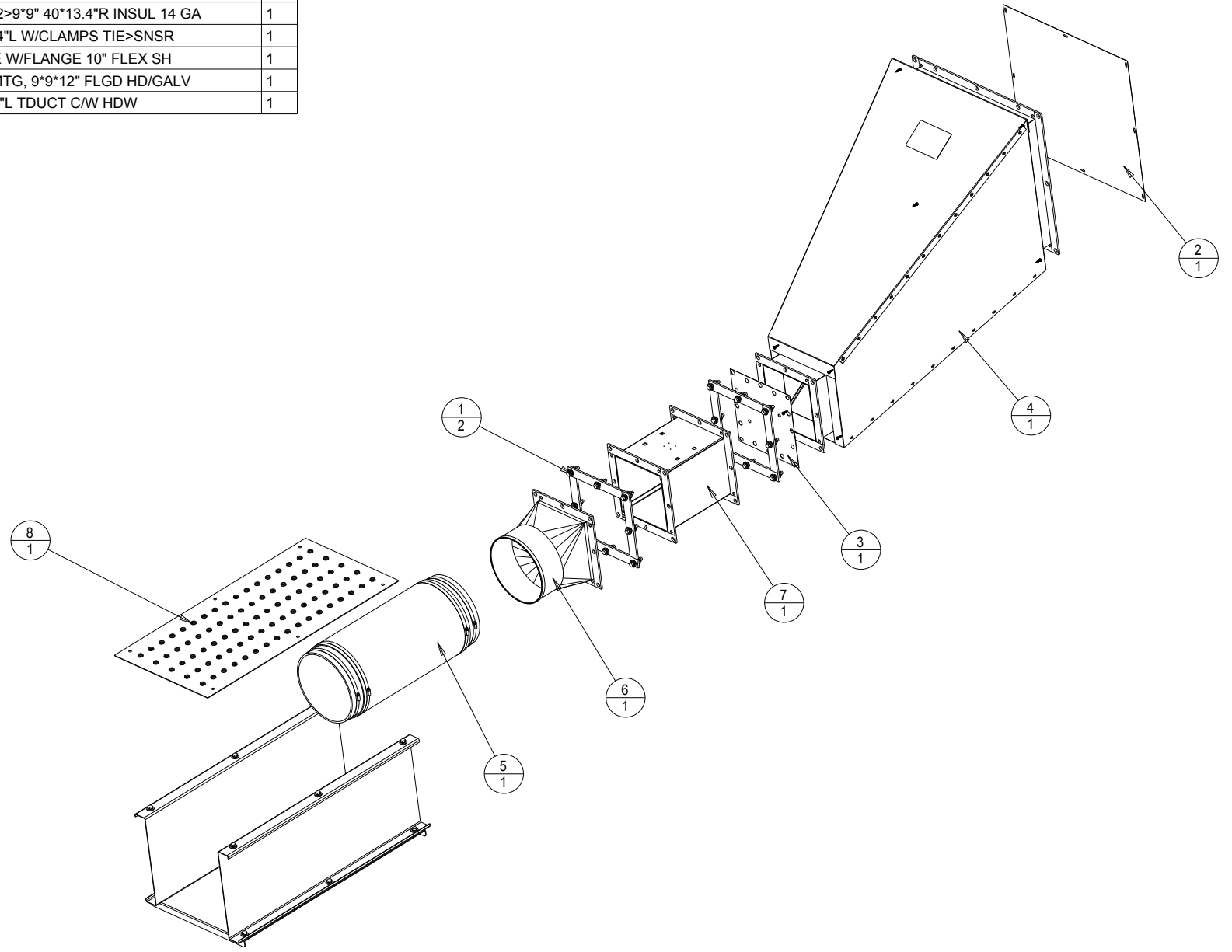


INDEX	PART#	DESCRIPTION	QTY
1	10121	KIT, GSKT, SH 9*9" C/W HDW	2
2	13294-02	COVER, SHPNG, TRNSN SH	1
3	13294-03	COVER, SHPNG, CROSS DUCTS SH/HAC	1
4	13372	DUCT, TRNSN 19*22>9*9" 40*13.4"R INSUL 14 GA	1
5	13815-01	FLEXDUCT, SI 10*24"L W/CLAMPS TIE>SNSR	1
6	14676	ADPTR, SQ>RD, TIE W/FLANGE 10" FLEX SH	1
7	14678	DUCT, SNSR BOX MTG, 9*9*12" FLGD HD/GALV	1
8	14680-01	RTNR, BALLAST, 36"L TDUCT C/W HDW	1

TITLE	DRAWING NUMBER	REV.
DUCT ASSY, TRNSN 19X22, TIE 40X13.4"R	17014	B SHT. 1/1



MATERIAL
SEE INDIVIDUAL
PART DRAWINGS

SCALE
AS SHOWN

UNLESS OTHERWISE SPECIFIED
DIMENSIONS ARE IN INCHES

XX ± 0.03
XXX ± 0.01

ANGLES ± 0.5 °
OTHER _____

HOVEY INDUSTRIES 2005 INC

DWN GTM	DATE DWN 03JAN2011	CHKD	DATE
------------	-----------------------	------	------

DWG SIZE	B	REDRAWN IN PRO-E. NON ECN	03JAN2011	GTM
REV	A1	DESCRIPTION	DATE	CHKD