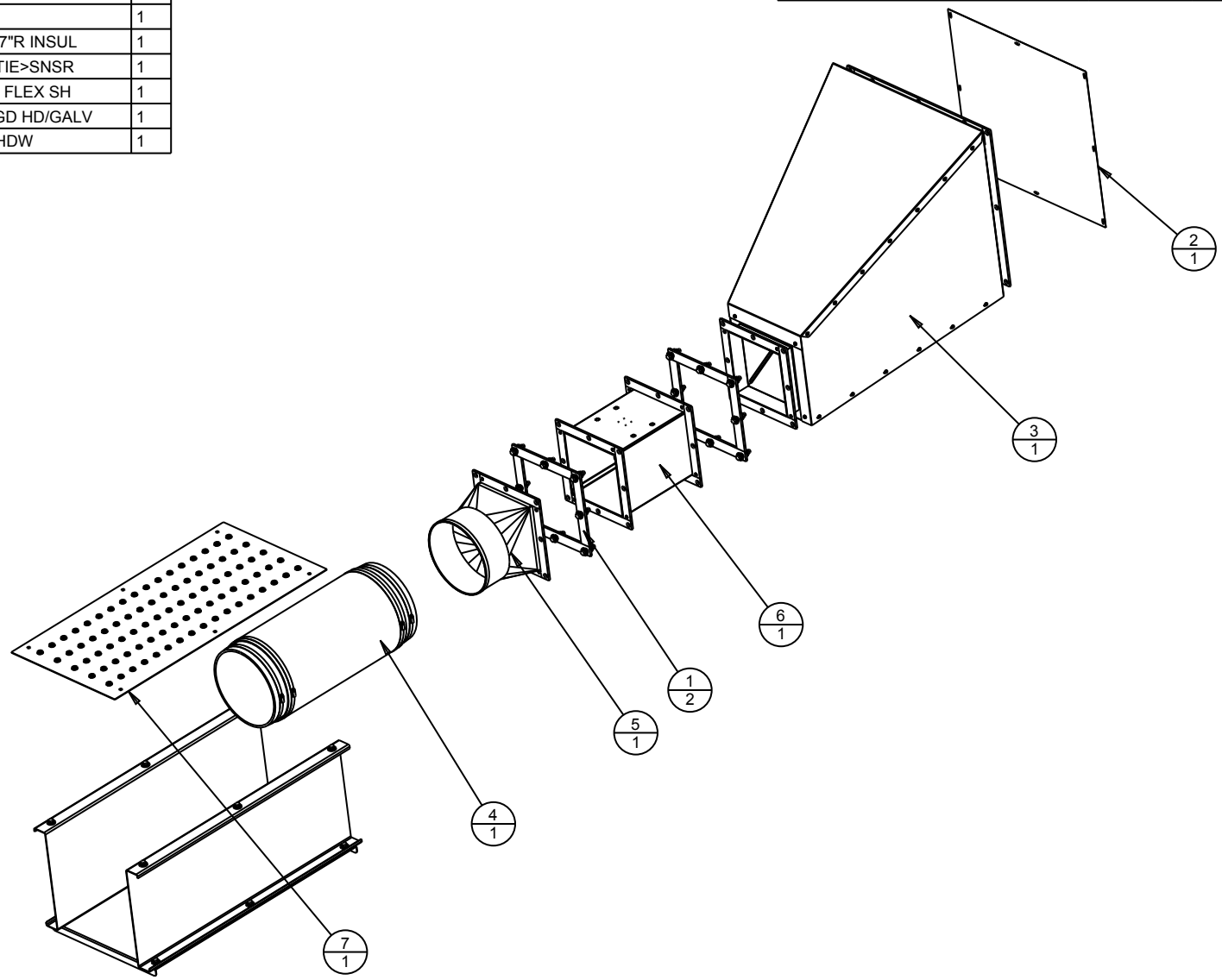


INDEX	PART#	DESCRIPTION	QTY
1	10121	KIT, GSKT, SH 9*9" C/W HDW	2
2	13294-02	COVER, SHPNG, TRNSN SH	1
3	13358	DUCT, 14GA TRNSN 19*22>9*9" 31*7"R INSUL	1
4	13815-01	FLEXDUCT, SI 10*24"L W/CLAMPS TIE>SNSR	1
5	14676	ADPTR, SQ>RD, TIE W/FLANGE 10" FLEX SH	1
6	14678	DUCT, SNSR BOX MTG, 9*9*12" FLGD HD/GALV	1
7	14680-01	RTNR, BALLAST, 36"L TDUCT C/W HDW	1

TITLE	DRAWING NUMBER	REV.
DUCT ASSY. TRANS 19*22>TIE HF 900, 131 CLR	17002	D SHT. 1/2

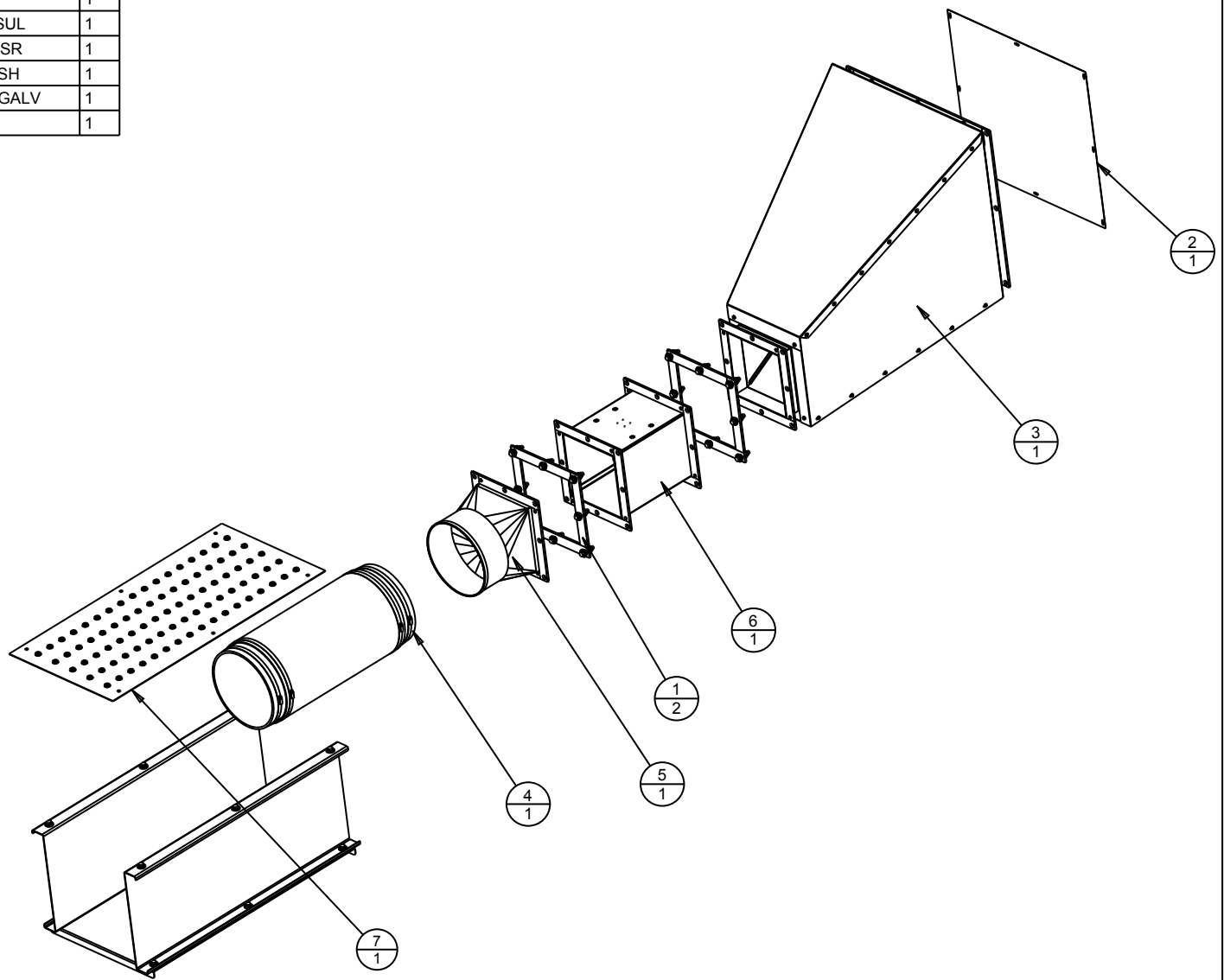


17002
14 GA

MATERIAL SEE INDIVIDUAL PART DRAWINGS	SCALE AS SHOWN SCALE 0.050	UNLESS OTHERWISE SPECIFIED DIMENSIONS ARE IN INCHES	XX ± 0.03	ANGLES ± 0.5 °	HOVEY INDUSTRIES 2005 INC	DWG SIZE	D	AUTOCAD DWG UPDATED TO PROE. VARIANT-02 ADDED, ECN 2380	17SEP2009	RT
			XXX ± 0.01	OTHER _____		A1	REV	DESCRIPTION	DATE	CHKD
					DWN RT	DATE DWN 17SEP2009	CHKD	DATE		

INDEX	PART#	DESCRIPTION	QTY
1	10121	KIT, GSKT, SH 9*9" C/W HDW	2
2	13294-02	COVER, SHPNG, TRNSN SH	1
3	13358-02	DUCT, 11GA TRNSN 19*22>9*9" 31*7"R INSUL	1
4	13815-01	FLEXDUCT, SI 10*24"L W/CLAMPS TIE>SNSR	1
5	14676	ADPTR, SQ>RD, TIE W/FLANGE 10" FLEX SH	1
6	14678	DUCT, SNSR BOX MTG, 9*9*12" FLGD HD/GALV	1
7	14680-01	RTNR, BALLAST, 36"L TDUCT C/W HDW	1

TITLE	DRAWING NUMBER	REV.
DUCT ASSY. TRANS 19*22>TIE HF 900, 131 CLR	17002	D SHT. 2/2



17002-02
11GA

MATERIAL SEE INDIVIDUAL PART DRAWINGS	SCALE AS SHOWN	UNLESS OTHERWISE SPECIFIED DIMENSIONS ARE IN INCHES	XX ± 0.03 XXX ± 0.01	ANGLES ± 0.5 ° OTHER _____	HOVEY INDUSTRIES 2005 INC	DWG SIZE A1	D REV	AUTOCAD DWG UPDATED TO PROE. VARIANT-02 ADDED, ECN 2380	17SEP2009	RT
					DWN RT	DATE DWN 17SEP2009	CHKD	DATE	DESCRIPTION	CHKD