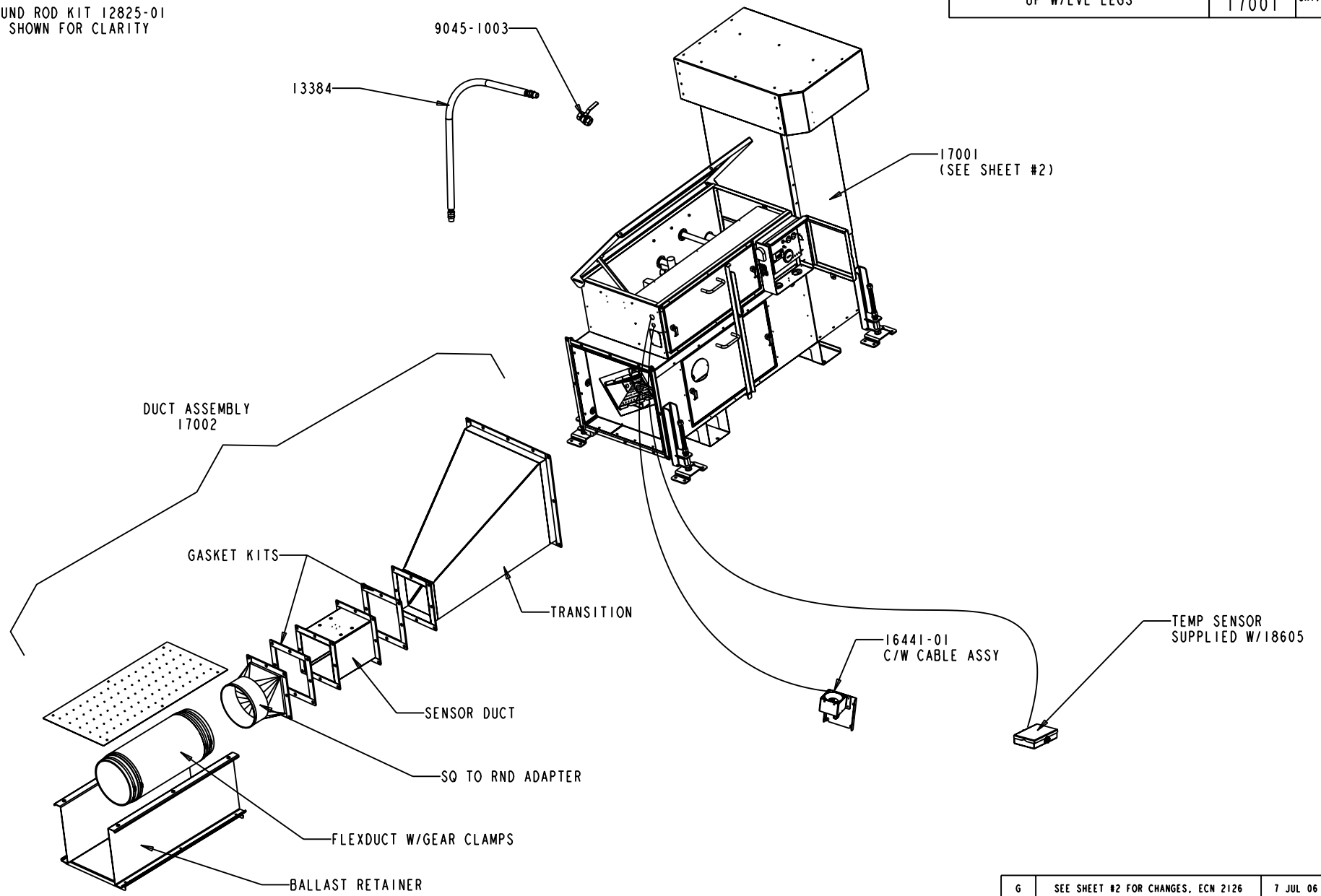


GROUND ROD KIT 12825-01  
NOT SHOWN FOR CLARITY

TITLE	HF 900, 240V UP W/LVL LEGS	DRAWING NUMBER	REV.
		17001	G
			SHT. 1/2



SCALE 0.035

MATERIAL  
SEE INDIVIDUAL PART DRAWING

SCALE  
AS SHOWN

UNLESS OTHERWISE SPECIFIED  
DIMENSIONS ARE IN INCHES

XX ± 0.03  
XXX ± 0.01

ANGLES ± 0.5°  
OTHER -----

HOVEY INDUSTRIES 2005 INC

DWN MEP DATE DWN 15 JAN 02 CHKD DATE

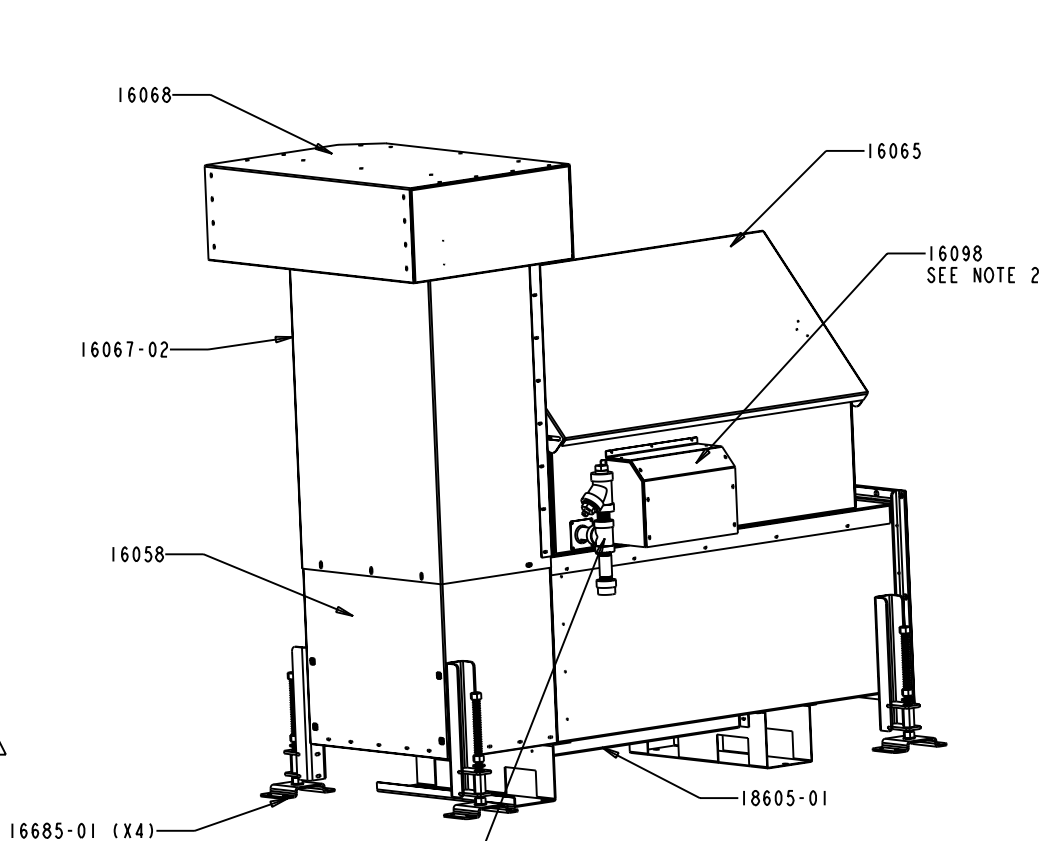
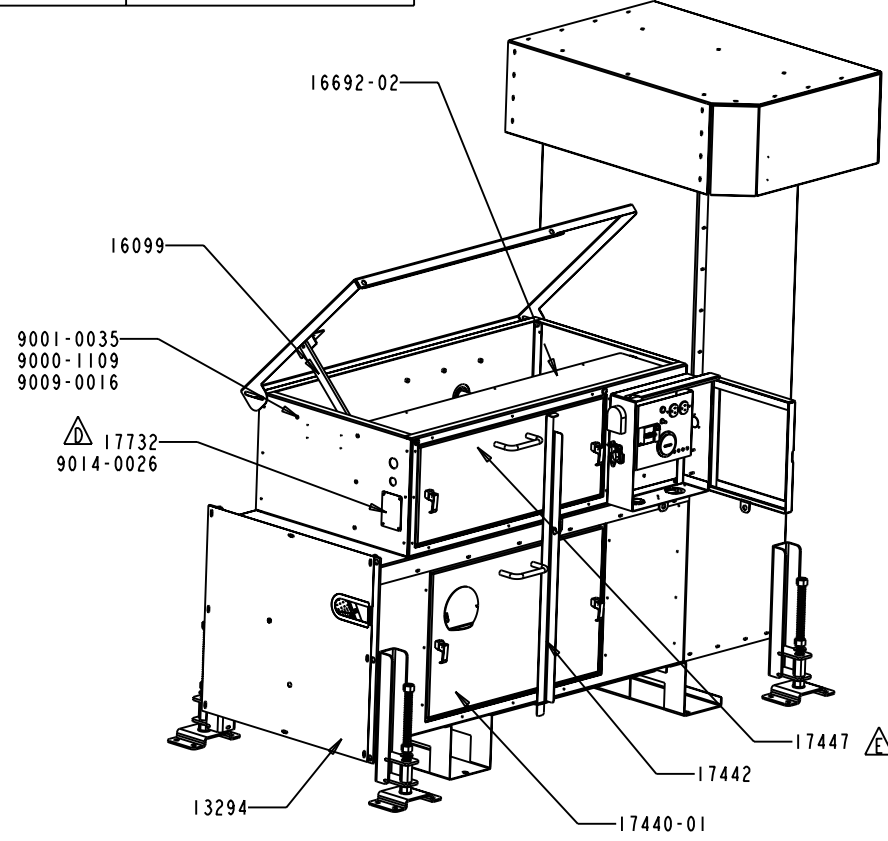
DWG SIZE	AI
LTR	DESCRIPTION
	DATE
	CHKD

G	SEE SHEET #2 FOR CHANGES, ECN 2126	7 JUL 06	AVG
F	SEE SHEET #2 FOR CHANGES, ECN 1917	14 NOV 05	AVG
E	SEE SHEET #2 FOR CHANGES, ECN 1944D	21 MAR 05	AVG
D	REMOVED RAIL THERMOSTAT, ECN 1434	15 JAN 02	MEP

PACKAGED LOOSE	
PART	DESCRIPTION
12241	KIT HDW INSTALLATION
10804	KIT CONVERT TO NG
13341-03	KIT INSL THERMOS
13393	KIT GSMT
18596	DOC PKG
9040-0017	FLAME SAFETY RELAY

TITLE	HF 900, 240V UP W/LVL LEGS	DRAWING NUMBER	REV.
		17001	G
			SHT 2/2

△ OA CHECKLIST 16365



NOTE:  
 1. SEE DWG 18449 FOR FASTENERS AND DWG 18450 FOR LABEL PLACEMENT  
 2. 16440-01 (X2), 9033-0041 (X2), 11712 (X2), 9045-0176 & 9045-0221 LOCATED BEHIND THIS PANEL  
 3. TEST ACCORDING TO TEST SHEET 18604  
 4. LOAD PROGRAM 18504 INTO LOGO PLC ONCE WIRING IS COMPLETED THEN ADD LABEL 18579

SCALE 0.050

G	10804 WAS 12826, ECN 2126	7 JUL 06	AVG
F	9045-0221 WAS 0120 9045-0211 REMOVED, ECN 1917	14 NOV 05	AVG
E	PROGRAM 18504 WAS 17688, LABEL 18579 WAS 17733, 18605 WAS 16444, 18604 WAS 16364 18596 WAS 16360, 9045-0211 WAS 9045-0109 17477 WAS 17477-07, 9040-0017 ADDED 16365 ADDED, ECN 19440	21 MAR 05	AVG
D	HDW REFERENCE MOVED TO DWG 18449 LABELS REFERENCES MOVED TO DWG 18450	27 AUG 04	AVG
D	ADDED LOGO INFO, 17732 WAS 15947 ECN 1434	16 JAN 02	MEP
LTR	DESCRIPTION	DATE	CHKD

MATERIAL	SCALE
SEE INDIVIDUAL PARTS DRAWING	AS SHOWN

UNLESS OTHERWISE SPECIFIED DIMENSIONS ARE IN INCHES	XX ± 0.03 XXX ± 0.01	ANGLES ± 0.5° OTHER -----
--	-------------------------	------------------------------

HOVEY INDUSTRIES 2005 INC				DWG SIZE
DWN	DATE DWN	CHKD	DATE	AI
MEP	16 JAN 02			