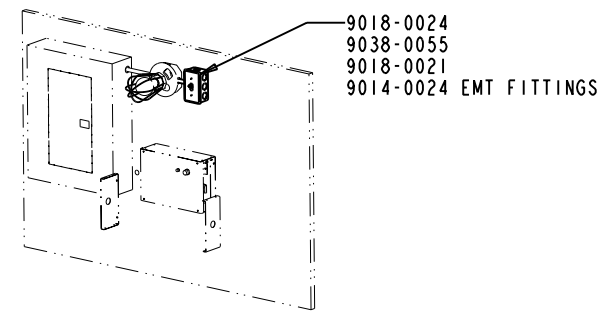
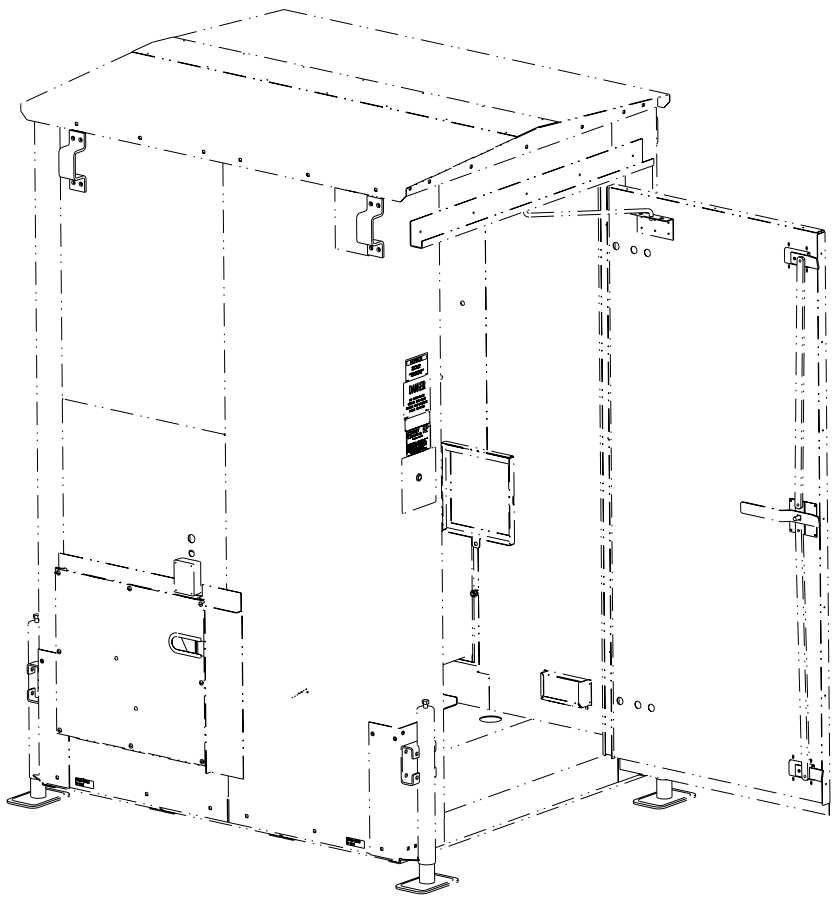
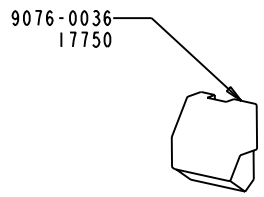


REF FOR LIGHT LOCATION  
SCALE 0.025



REFERENCE DRAWING ONLY  
FOR OPTIONAL EXTERNAL LIGHT

SCALE 0.040

MATERIAL	AS SHOWN	SCALE	UNLESS OTHERWISE SPECIFIED DIMENSIONS ARE IN INCHES	XX ± 0.03 XXX ± 0.01	ANGLES ± 0.5° OTHER -----	HOVEY INDUSTRIES LIMITED				DWG SIZE	B	DIM 28.00 WAS 24.25, 11.5 ADDED 82.00 REM'D, PER ECN 1619	18 OCT 02	
						DWN	DATE DWN	CHKD	DATE					
		AS SHOWN				MEP	10 APR 01			LTR		DESCRIPTION	DATE	CHKD