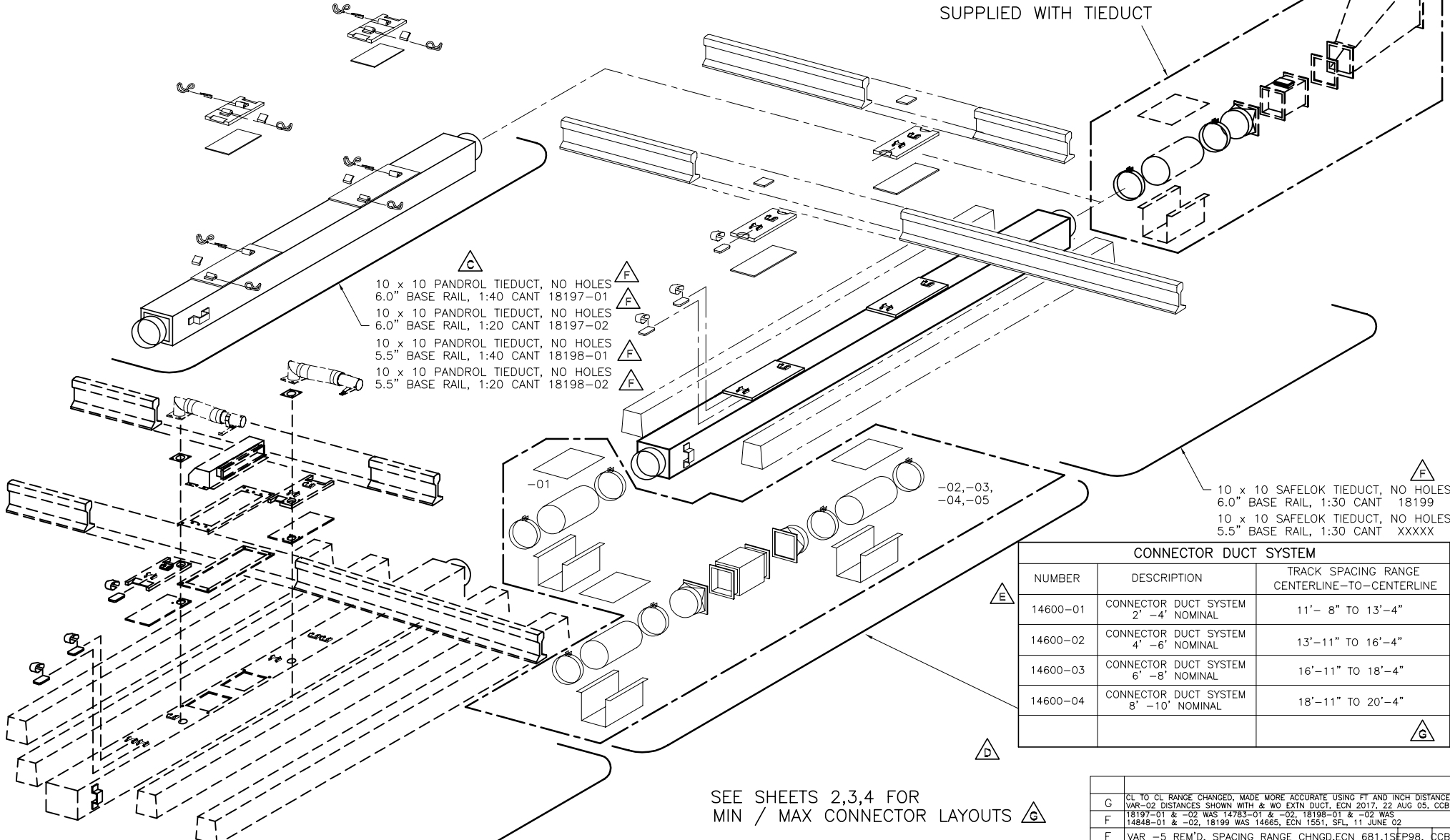


COMPONENTS SHOWN FOR  
REFERENCE ONLY  
SUPPLIED WITH TIEDUCT



- 10 x 10 PANDROL TIEDUCT, NO HOLES  
6.0" BASE RAIL, 1:40 CANT 18197-01
- 10 x 10 PANDROL TIEDUCT, NO HOLES  
6.0" BASE RAIL, 1:20 CANT 18197-02
- 10 x 10 PANDROL TIEDUCT, NO HOLES  
5.5" BASE RAIL, 1:40 CANT 18198-01
- 10 x 10 PANDROL TIEDUCT, NO HOLES  
5.5" BASE RAIL, 1:20 CANT 18198-02

- 10 x 10 SAFELOK TIEDUCT, NO HOLES  
6.0" BASE RAIL, 1:30 CANT 18199
- 10 x 10 SAFELOK TIEDUCT, NO HOLES  
5.5" BASE RAIL, 1:30 CANT XXXXX

CONNECTOR DUCT SYSTEM		
NUMBER	DESCRIPTION	TRACK SPACING RANGE CENTERLINE-TO-CENTERLINE
14600-01	CONNECTOR DUCT SYSTEM 2' -4' NOMINAL	11'- 8" TO 13'-4"
14600-02	CONNECTOR DUCT SYSTEM 4' -6' NOMINAL	13'-11" TO 16'-4"
14600-03	CONNECTOR DUCT SYSTEM 6' -8' NOMINAL	16'-11" TO 18'-4"
14600-04	CONNECTOR DUCT SYSTEM 8' -10' NOMINAL	18'-11" TO 20'-4"

SEE SHEETS 2,3,4 FOR  
MIN / MAX CONNECTOR LAYOUTS

1. (\*) REMOVE 24" EXTENSION FOR LOW END  
OF RANGE

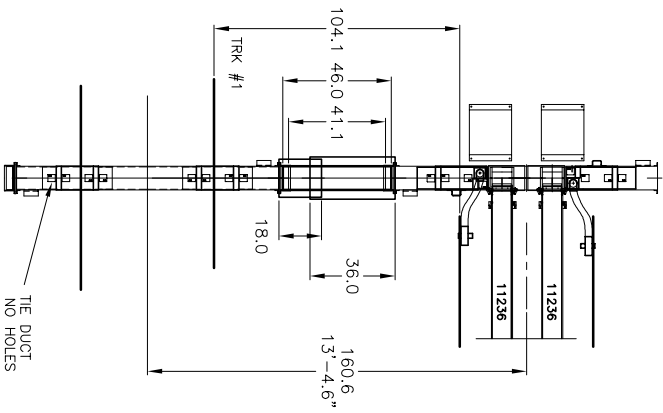
10 x 10 TIEDUCT SYSTEM  
ORDERED SEPARATELY

G CL TO CL RANGE CHANGED, MADE MORE ACCURATE USING FT AND INCH DISTANCE  
VAR-02 DISTANCES SHOWN WITH & WO EXTN DUCT, ECN 2017, 22 AUG 05, CCB  
F 18197-01 & -02 WAS 14783-01 & -02, 18198-01 & -02 WAS  
14848-01 & -02, 18199 WAS 14665, ECN 1551, SFL, 11 JUNE 02  
E VAR -5 REM'D, SPACING RANGE CHNGD, ECN 681, 1SEP98, CCB

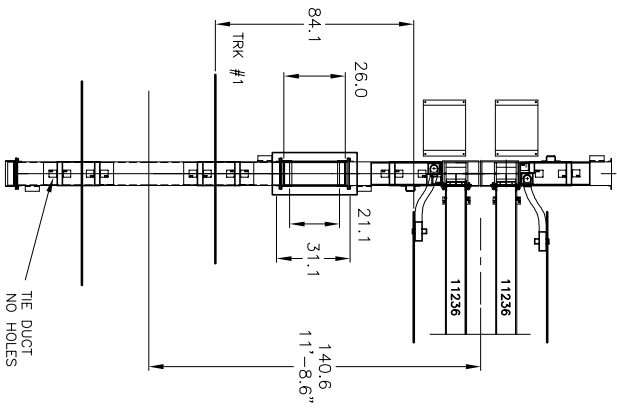
MATERIAL	APPLICATION	UNLESS OTHERWISE SPECIFIED DIMENSIONS ARE IN INCH	DRAWING NUMBER	
SEE DRAWING DETAIL		XX ± .03	14836	
		XXX ± .010	DWN	DATE
		HOLES ± .010	LNTW	28 NOV 96
		ANGLES ± 1'	CHECKED	DATE
SCALE 1/18	TITLE		REV G	
	ORDERING KEY, TDUCT, NO HOLES		SHT 1 OF 4	
	10 x 10, CROSSING 1 TRACK			

NOTE:

connector duct 14600-01 @ max

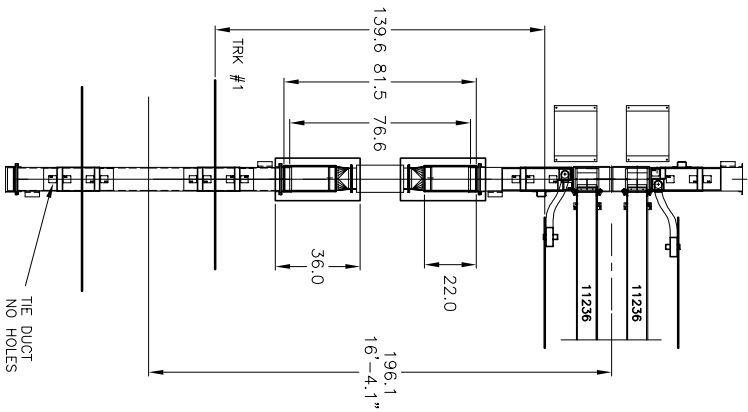


connector duct 14600-01 @ min

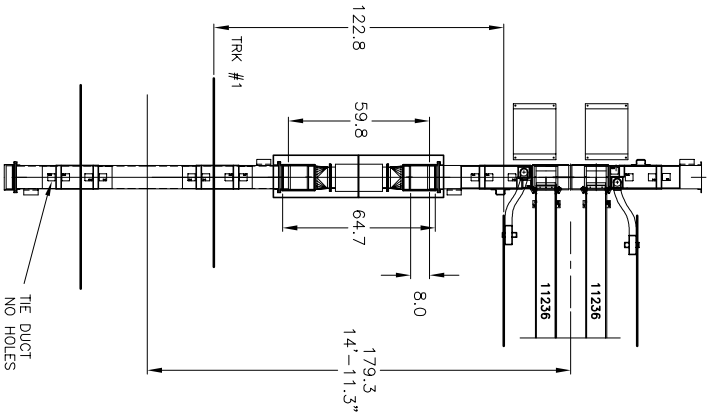


MATERIAL SEE SEPARATE B O M		APPLICATION SCALE 1/25		UNLESS OTHERWISE SPECIFIED DIMENSIONS ARE IN INCH XXX ± .03 HOLES ± .010 ANGLES ± 1°	
LTR	G	Description layout created to show ranges, ECN 2017, 22AUG 05, CCB		DATE	APPN
<b>HOVEY INDUSTRIES LTD.</b> OWN CCB DATE 18 Aug 05 CHECKED DATE			DRAWING NUMBER <b>14836</b>		
TITLE <b>ORDERING KEY, TDUCT, NO HOLES                  10 X 10 CROSSING 1 TRK</b>			DWG SIZE <b>A1</b>	REV G	SHF 2 of 4

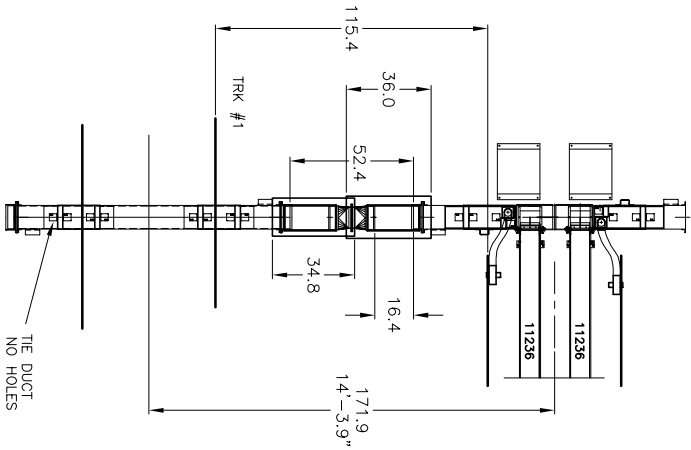
connector duct 14600-02 @ max



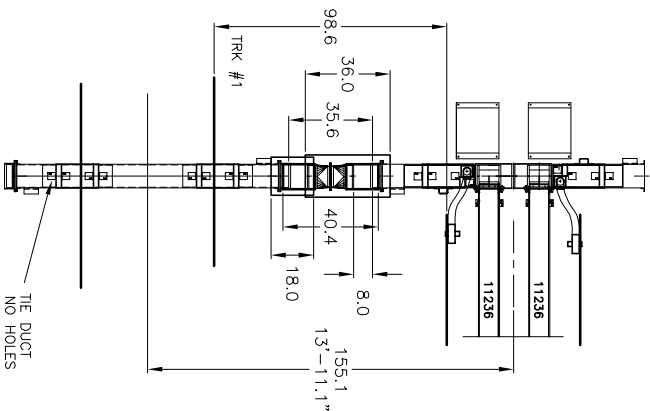
connector duct 14600-02 @ min



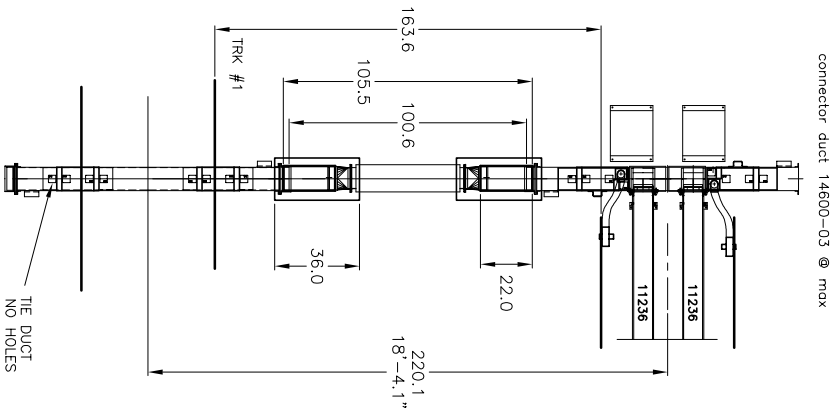
connector duct 14600-02 @ max  
with 24" exhn removed, sq to rdn placed back to back



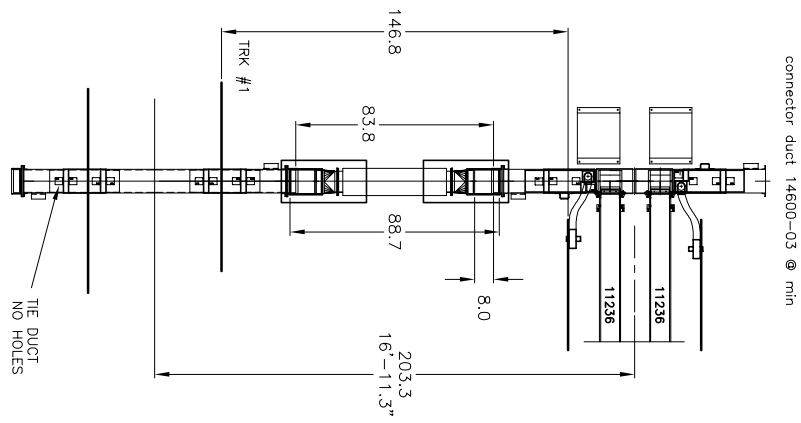
connector duct 14600-02 @ min  
with 24" exhn removed, sq to rdn placed back to back



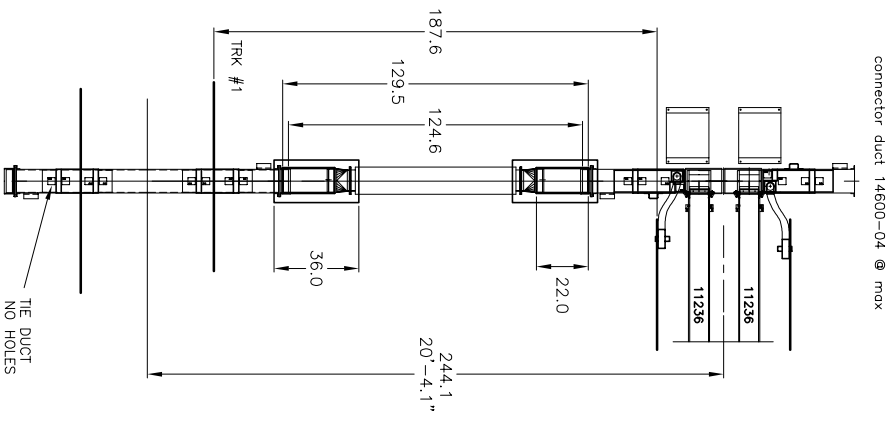
G		Layout created to show ranges, ECN 2017, 22 AUG 05, CCB		DATE		APPR	
LTR		DESCRIPTION		DATE		APPR	
MATERIAL SEE SEPARATE B O M		APPLICATION SCALE 1/25		UNLESS OTHERWISE SPECIFIED DIMENSIONS ARE IN INCH		DRAWING NUMBER 14836	
XX ± .03		XX ± .03		XX ± .010		REV G	
XX ± .010		XX ± .010		XX ± .010		REV G	
ANGLES ± 1°		ANGLES ± 1°		ANGLES ± 1°		REV G	
TITLE ORDERING KEY, TDUCT, NO HOLES 10 X 10 CROSSING 1 TRK		DATE 18 Aug 05		DATE		REV G	
HOVEY INDUSTRIES LTD.		CHECKED		DATE		REV G	
OWN CDB		DATE		DATE		REV G	
AI		SIZE		SIZE		REV G	
AI		SIZE		SIZE		REV G	



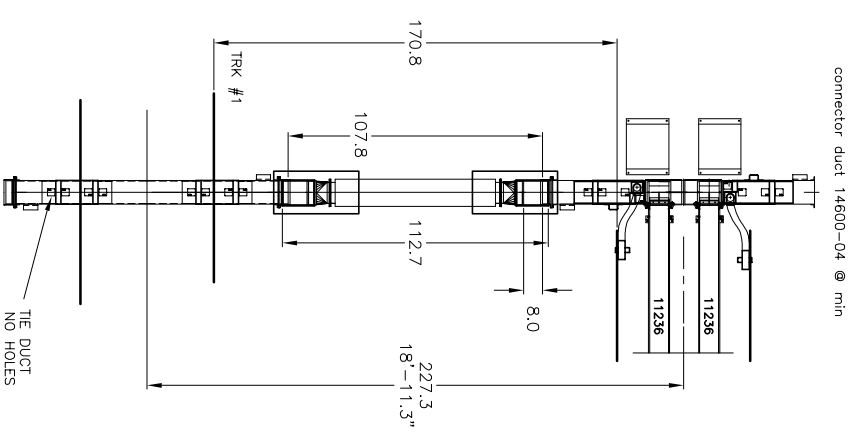
connector duct 14600-03 @ max



connector duct 14600-03 @ min



connector duct 14600-04 @ max



connector duct 14600-04 @ min

MATERIAL SEE SEPARATE B O M		APPLICATION SCALE 1/25		DIMENSIONS UNLESS OTHERWISE SPECIFIED DIMENSIONS IN INCH XX ± .03 XXX ± .010 HOLE ± .010 ANGLES ± 1°	
LTR	G	Description layout created to show ranges, ECN 2017, 22 AUG 05, CCB		DATE	APPN
HOVEY INDUSTRIES LTD.			DRAWING NUMBER 14836		
OWN CCB	DATE 18 Aug 05	CHECKED	DATE	REV G	REV 4 of 4
TITLE ORDERING KEY, TDUCT, NO HOLES 10 X 10 CROSSING 1 TRK			DWG SIZE A1		