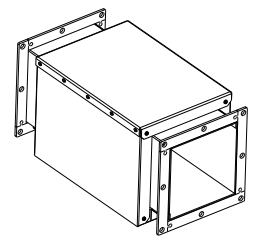
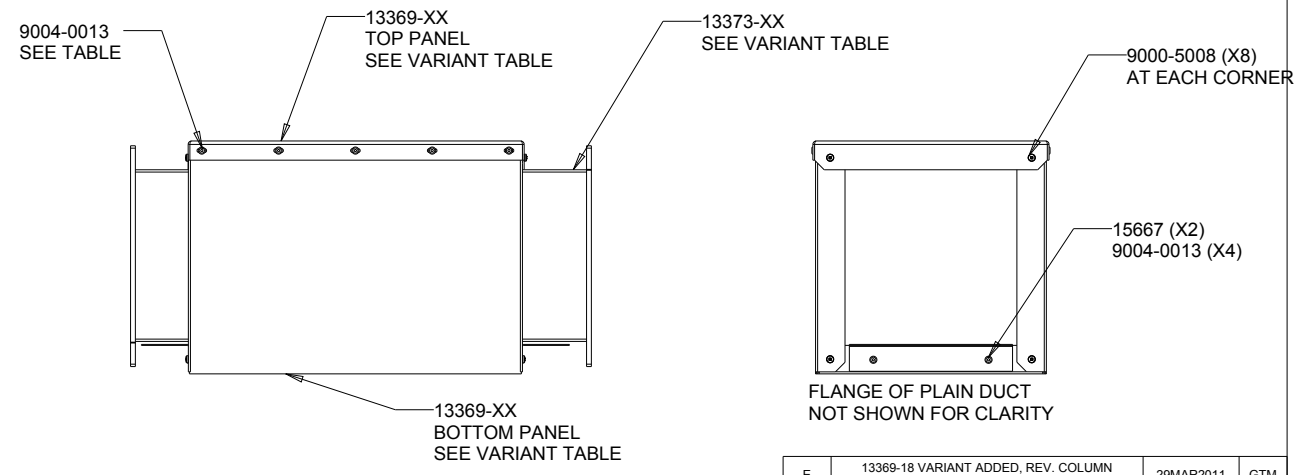
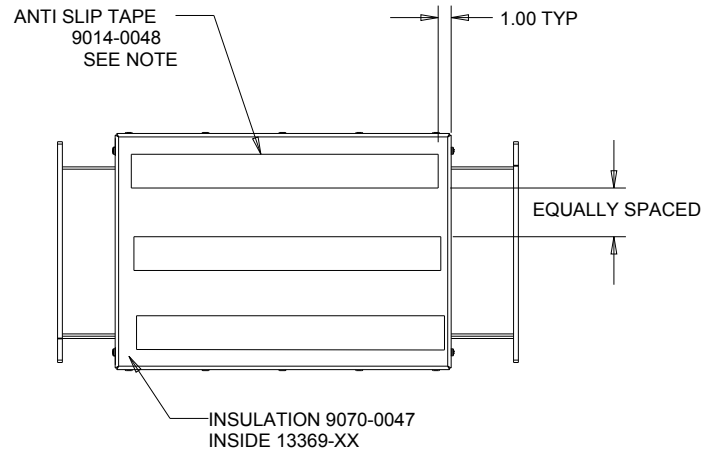


ASSY P/N	LENGTH	DUCT P/N	BOTTOM P/N	TOP P/N	# HOLES
13369-01	24.00	13373-01	13369-31	13369-61	10
13369-02	48.00	13373-02	13369-32	13369-62	22
13369-03	60.00	13373-03	13369-33	13369-63	28
13369-04	96.00	13373-04	13369-34	13369-64	46
13369-05	66.00	13373-05	13369-35	13369-65	32
13369-06	12.00	13373-06	13369-36	13369-66	6
13369-07	36.00	13373-07	13369-37	13369-67	16
13369-08	72.00	13373-08	13369-38	13369-68	34
13369-09	84.00	13373-09	13369-39	13369-69	40
13369-10	19.75	13373-10	13369-40	13369-70	8
13369-11	15.00	13373-11	13369-41	13369-71	6
13369-12	120.00	13373-12	13369-42	13369-72	58
13369-13	26.00	13373-13	13369-43	13369-73	14
13369-14	34.34	13373-14	13369-44	13369-74	16
13369-15	50.00	13373-15	13369-45	13369-75	24
13369-16	18.00	13373-16	13369-46	13369-76	8
13369-17	43.00	13373-17	13369-47	13369-77	24
13369-18	22.00	13373-20	13369-48	13369-78	10

TITLE DUCT EXTENSION, 9" X 9" SWITCH HEATER	DRAWING NUMBER	REV.
	13369	E SHT. 1/3



SCALE 0.050



- NOTE:
- CLEARLY MARK EACH INSULATED CROSS DUCT PART NUMBER APPROX. 1.5" HIGH, USING PERMANENT MARKER AND VARIANT TABLE
 - CUT INSULATION 9070-0047 TO FIT INSIDE COVER PANELS 13369-XX WHEN ASSEMBLING OVER 13373-XX
 - DEGREASE AND APPLY ANTI SLIP TAPE, 9014-0048 AS DEPICTED, 3 STRIPS, 2" LESS FULL LENGTH OF TOP PANEL

SCALE 0.100

MATERIAL
SEE INDIVIDUAL PARTS DRAWING

SCALE
AS SHOWN

UNLESS OTHERWISE SPECIFIED
DIMENSIONS ARE IN INCHES

XX ± 0.03
XXX ± 0.01

ANGLES ± 0.5 °
OTHER _____

HOVEY INDUSTRIES 2005 INC

DWN	DATE DWN	CHKD	DATE
AVG	27 FEB 07		

DWG SIZE	
A1	
REV	DESCRIPTION
	DATE
	CHKD

E	13369-18 VARIANT ADDED, REV. COLUMN REMOVED, NON ECN	29MAR2011	GTM
E	PICTORIALLY UPDATED TO SHOW RE-MODELLED FLANGE (10076)	14DEC2010	GTM
E	REDRAWN IN PRO-E, ECN 2006	27 FEB 07	AVG