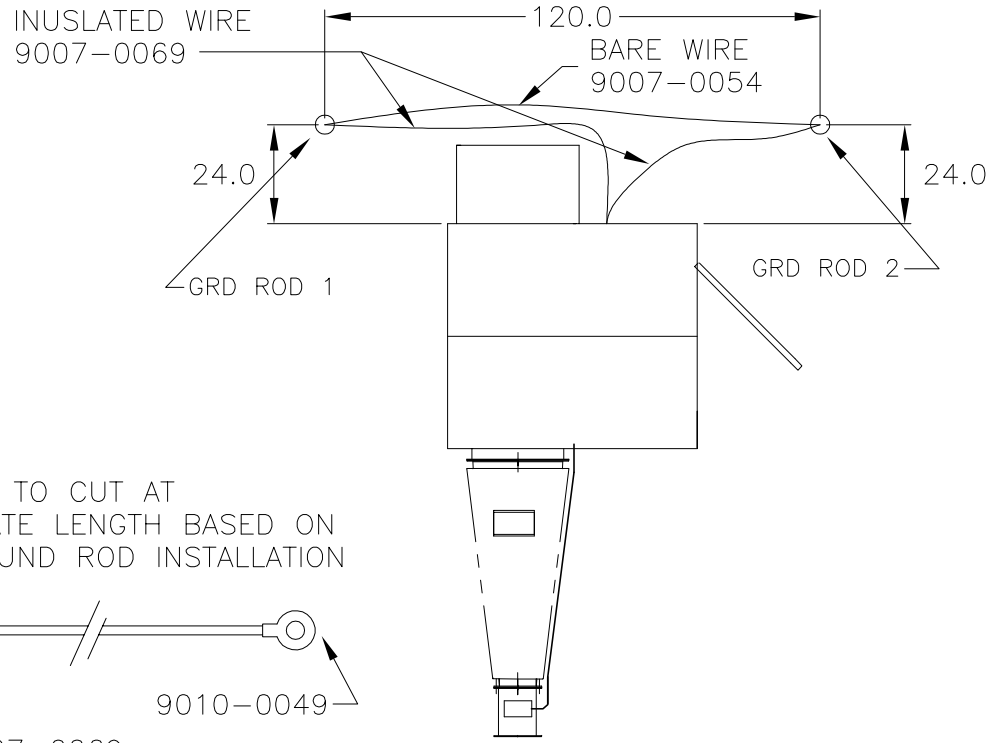
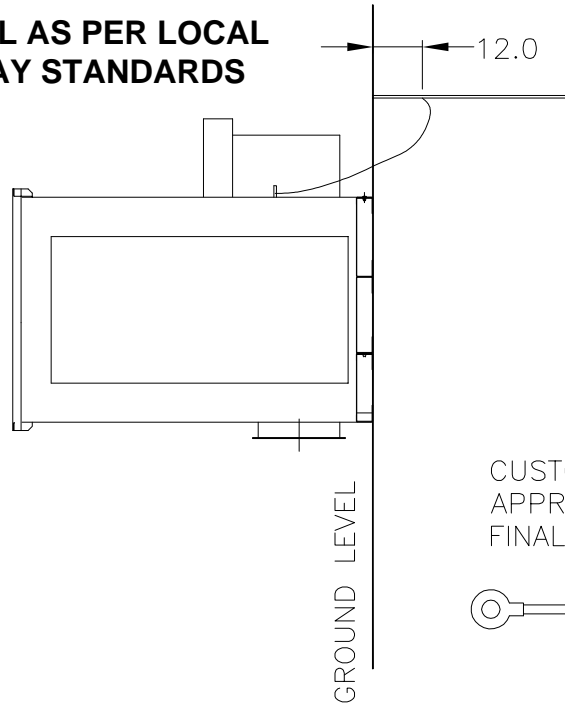
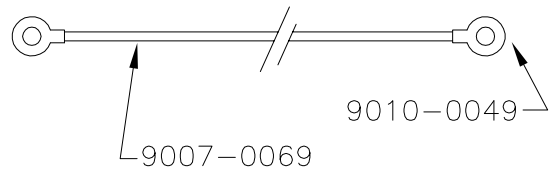


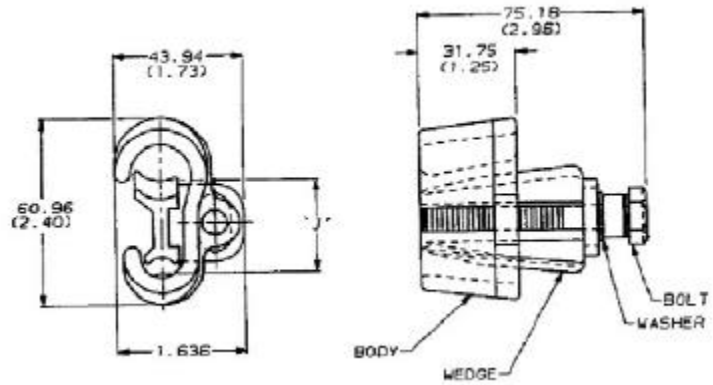
**NOTE:  
INSTALL AS PER LOCAL  
RAILWAY STANDARDS**



CUSTOMER TO CUT AT  
APPROPRIATE LENGTH BASED ON  
FINAL GROUND ROD INSTALLATION



TYPICAL INSTALLATION



TYCO GRD CLAMP 9019-0045

- KIT INCLUDES:**  
 12FT OF #6 AWG BARE COPPER WIRE 9007-0054  
 18FT OF #6 AWG COPPER GREEN TWU INSUL WIRE 9007-0069  
 5/8"Ø X 8' GROUND ROD 9070-0068 (X2)  
 #6 AWG X 3/8 STUD RING TERMINALS 9010-0049 (X2)  
**TYCO GRD CLAMP 9019-0045 (X2)**  
 INCLUDE COPY OF THIS DRAWING WITH KIT



12825-04



MATERIAL	APPLICATION	UNLESS OTHERWISE SPECIFIED DIMENSIONS ARE IN INCH
SEE SEPARATE B O M		XX ±.03
		XXX ±.010
		HOLES ±.010
		ANGLES ± 1°
SCALE	1/25	

E	TYCO GRD CLAMP HVY P/N 9019-0045 WAS -0041,ECN 1367,12 OCT 01, CCB		
D	PRODUCTION RELEASE		
LTR	DESCRIPTION	DATE	APPL
<b>HOVEY INDUSTRIES LTD.</b>		DRAWING NUMBER	
		<b>12825</b>	
DWN	DATE	CHECKED	DATE
<b>MBP</b>	28 NOV 00		
TITLE		DWG SIZE	REV
<b>GROUND ROD KIT 2 RODS W/CLAMPS</b>		<b>A1</b>	<b>E</b>
		SHT 4 OF 4	