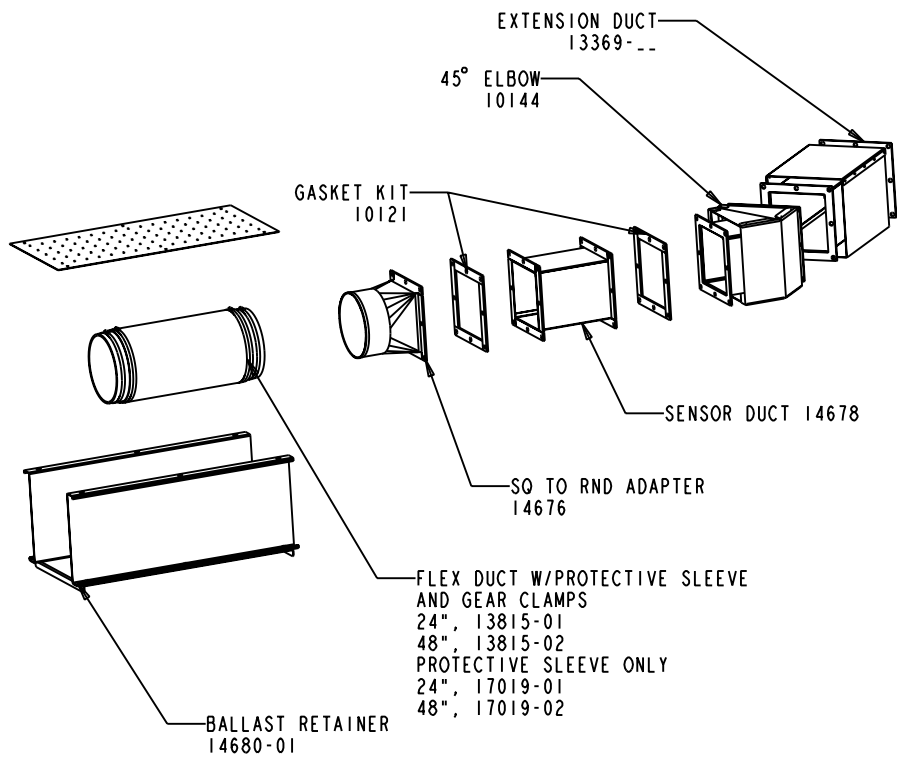
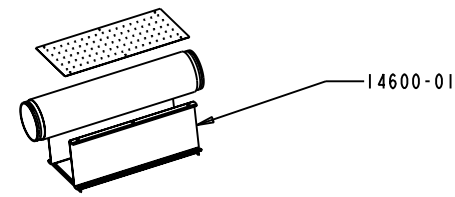


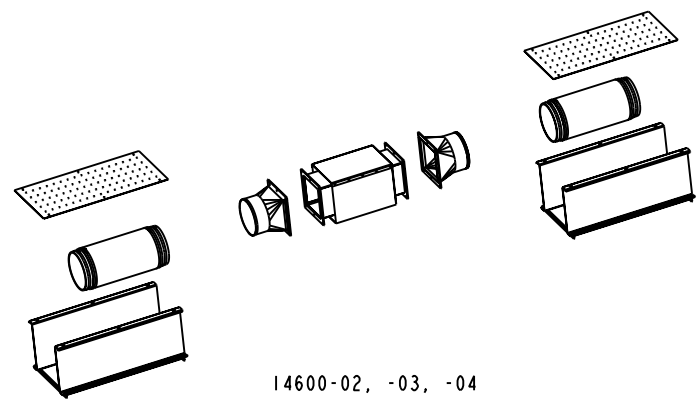
EXTENSION DUCT, 13369-..	
LENGTH	P/N
12.00"	13369-06
24.00"	13369-01
36.00"	13369-07
48.00"	13369-02
60.00"	13369-03
72.00"	13369-08
84.00"	13369-09
96.00"	13369-04
120.00"	13369-12



TITLE SPARE PARTS, DUCTING ALL HOVEY SW HEATERS	DRAWING NUMBER	REV. A
	11473	SHT. 1/1



CONNECTER DUCT SYSTEM, USED BETWEEN TIEDUCTS		
NUMBER	DESCRIPTION	TRACK SPACING RANGE CENTERLINE-TO-CENTERLINE
14600-01	CONNECTER DUCT SYSTEM 2' -4' NOMINAL	11.5' TO 14'
14600-02	CONNECTER DUCT SYSTEM 4' -8' NOMINAL	14' TO 17.5'
14600-03	CONNECTER DUCT SYSTEM 6' -8' NOMINAL	17.5' TO 19.5'
14600-04	CONNECTER DUCT SYSTEM 8' -10' NOMINAL	19.5' TO 21.5'



MATERIAL	AS SHOWN
----------	----------

SCALE	AS SHOWN	UNLESS OTHERWISE SPECIFIED DIMENSIONS ARE IN INCHES	XX ± 0.03 XXX ± 0.01	ANGLES ± 0.5° OTHER
-------	----------	--	-------------------------	------------------------------

HOVEY INDUSTRIES LIMITED			
DWN	DATE DWN	CHKD	DATE
TMH	18 MAR 03		

DWG SIZE	A	PRODUCTION RELEASE, REF ECM 1702	18 MAR 03
LTR		DESCRIPTION	DATE
			CHKD

SCALE 0.020