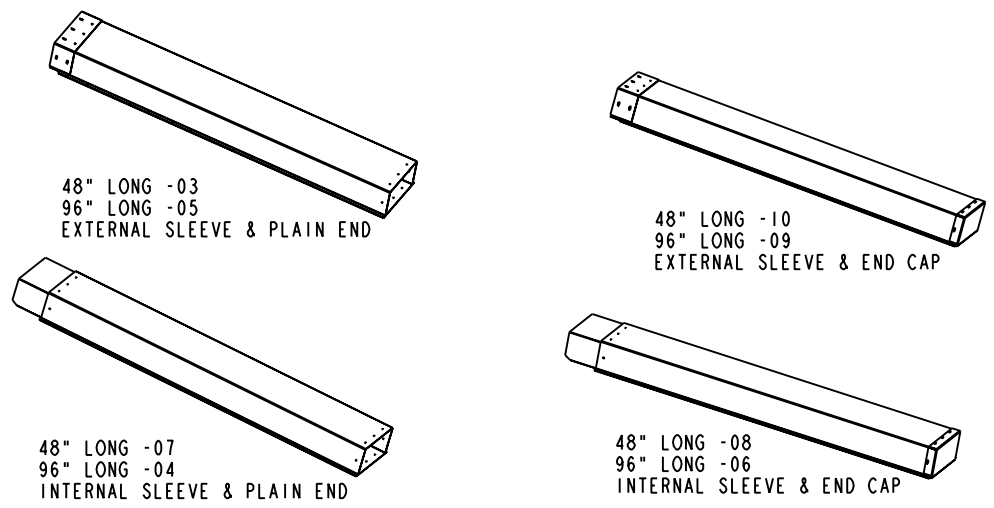


TRACK DUCTS, 11233-XX



8" WIDE TRACKDUCT DEFLECTOR  
CONCRETE TIE MOUNT 12584-01  
WOOD TIE MOUNT 11220-02

MATERIAL	AS SHOWN	SCALE	AS SHOWN	UNLESS OTHERWISE SPECIFIED DIMENSIONS ARE IN INCHES	XX ± 0.03 XXX ± 0.01	ANGLES ± 0.5° OTHER -----	HOVEY INDUSTRIES LIMITED	DWG SIZE A1	A	PRODUCTION RELEASE, REF ECM 1702	12 MAR 03
							DWN TMH	DATE DWN 12 MAR 03	CHKD	DATE	CHKD
								LTR		DESCRIPTION	DATE